

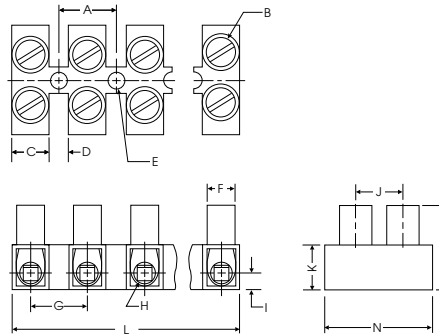
# FEED-THROUGH FLAT BASE EUROSTRIPS® 300V - Panel Mount

For wire-to-wire connections in HVAC, appliance, equipment, power distribution and other industrial applications with strict budget and space requirements.

Easy to use double row terminal strips are a cost-effective alternative to barrier strips or other types of terminal blocks. Simply strip the wire, insert, and tighten the screw.<sup>a</sup> Eurostrips® feature tubular screw clamps, with or without wire protectors, and recessed metal parts for finger protection. The wire protectors include an integral wire stop in the center of the terminal. The stainless steel wire protectors exhibit excellent memory and the wire stop insures the most effective connection.

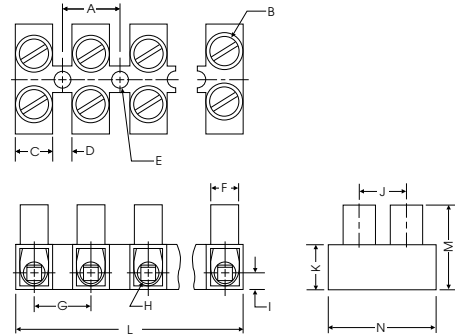
Eurostrips® described on this and the following page are available with a flat base for minimum clearance applications. They can be panel mounted or left to free float. Offered in easy to cut standard 12 pole strips, they can also be ordered pre-cut with the required number of poles.

- Tubular Screw Clamp
- With or Without Wire Protectors
- Panel Mount or Free Float
- Housing Material: Polyamide 6.6
- Color: Opaque White
- Marking Plates or Factory Imprinted



## TS1.5

Flat Base  
Pole Spacing 8mm (.315)  
Mounting Hole Diameter 2.8mm (.110)  
Stripping Length 5mm (.197)



## TS2.5

Flat Base  
Pole Spacing 10mm (.394)  
Mounting Hole Diameter 3.5mm (.138)  
Stripping Length 6mm (.236)

### Ratings

IEC/VDE  
UL (File No. E148805)  
CSA (File No. LR38962)

Wire Range	Current	Voltage
1.5mm <sup>2</sup>	18A	380V
22-12 AWG	20A	300V
22-16 AWG	15A	300V

Wire Range	Current	Voltage
2.5mm <sup>2</sup>	26A	380V
22-10 AWG	30A	300V
18-12 AWG	30A	300V

Ordering Information		No. of Poles	Type	Cat. No.	Length (L) mm (in.)	Std. Pk.	Type	Cat. No.	Length (L) mm (in.)	Std. Pk.
<b>Eurostrip®, Flat Base with Wire Protector</b>		2	TS1.5/2wp	40.002	13.6 ( .53)	100	TS2.5/2wp	40.202	17.0 ( .67)	100
		3	TS1.5/3wp	40.003	21.5 ( .85)	100	TS2.5/3wp	40.203	27.0 (1.06)	100
		4	TS1.5/4wp	40.004	29.5 (1.16)	100	TS2.5/4wp	40.204	37.0 (1.46)	100
		5	TS1.5/5wp	40.005	37.4 (1.47)	100	TS2.5/5wp	40.205	47.0 (1.85)	100
		6	TS1.5/6wp	40.006	45.4 (1.79)	50	TS2.5/6wp	40.206	57.0 (2.24)	50
		7	TS1.5/7wp	40.007	53.3 (2.10)	50	TS2.5/7wp	40.207	67.0 (2.64)	50
		8	TS1.5/8wp	40.008	61.3 (2.41)	50	TS2.5/8wp	40.208	77.0 (3.03)	50
		9	TS1.5/9wp	40.009	69.2 (2.72)	50	TS2.5/9wp	40.209	87.0 (3.43)	50
		10	TS1.5/10wp	40.010	77.2 (3.04)	50	TS2.5/10wp	40.210	97.0 (3.82)	50
		11	TS1.5/11wp	40.011	85.1 (3.35)	50	TS2.5/11wp	40.211	107.0 (4.21)	50
		12	TS1.5/12wp	40.012	93.0 (3.66)	50	TS2.5/12wp	40.212	117.0 (4.61)	50
		<b>Eurostrip®, Flat Base without Wire Protector<sup>b</sup></b>		2	TS1.5/2	40.052	13.6 ( .53)	100	TS2.5/2	40.252
3	TS1.5/3			40.053	21.5 ( .85)	100	TS2.5/3	40.253	27.0 (1.06)	100
4	TS1.5/4			40.054	29.5 (1.16)	100	TS2.5/4	40.254	37.0 (1.46)	100
5	TS1.5/5			40.055	37.4 (1.47)	100	TS2.5/5	40.255	47.0 (1.85)	100
6	TS1.5/6			40.056	45.4 (1.79)	50	TS2.5/6	40.256	57.0 (2.24)	50
7	TS1.5/7			40.057	53.3 (2.10)	50	TS2.5/7	40.257	67.0 (2.64)	50
8	TS1.5/8			40.058	61.3 (2.41)	50	TS2.5/8	40.258	77.0 (3.03)	50
9	TS1.5/9			40.059	69.2 (2.72)	50	TS2.5/9	40.259	87.0 (3.43)	50
10	TS1.5/10			40.060	77.2 (3.04)	50	TS2.5/10	40.260	97.0 (3.82)	50
11	TS1.5/11			40.061	85.1 (3.35)	50	TS2.5/11	40.261	107.0 (4.21)	50
12	TS1.5/12			40.062	93.0 (3.66)	50	TS2.5/12	40.262	117.0 (4.61)	50

For Accessories, please refer to pages 50, 51

### Dimensions mm (in.)

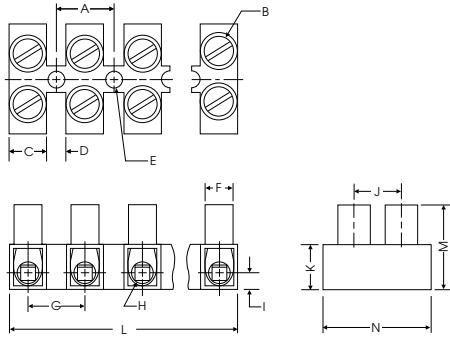
A = 8.0 (.315)	E = Ø2.8 (.110)	I = 2.5 (.099)
B = M2.5 x 4.3	F = Ø5.35 (.211)	J = 7.5 (.296)
C = 5.6 (.221)	G = 8.0 (.315)	K = 6.7 (.264)
D = 2.4 (.095)	H = Ø3.0 (.118)	M = 13.7 (.540)
		N = 18.2 (.716)

### Dimensions mm (in.)

A = 10.0 (.394)	E = Ø3.5 (.137)	I = 3.0 (.118)
B = M3 x 5.8	F = Ø5.7 (.225)	J = 9.5 (.374)
C = 6.4 (.252)	G = 10.0 (.394)	K = 8.0 (.315)
D = 3.5 (.138)	H = Ø3.6 (.142)	M = 15.5 (.611)
		N = 21.8 (.858)

<sup>a</sup> Clamp screws are zinc chromated steel. Stainless steel or nickel plated brass screws are available, consult Altech for ordering information.

<sup>b</sup> Use for solid wire or wire with a ferrule.



## TS6

Flat Base  
 Pole Spacing 12mm (.472)  
 Mounting Hole Diameter 4.2mm (.165)  
 Stripping Length 7mm (.276)

Wire Range	Current	Voltage
6mm <sup>2</sup>	44A	380V
20-8 AWG	40A	300V
18-10 AWG	40A	300V

Type	Cat. No.	Length (L) mm (in.)	Std. Pk.
TS6/2wp	40.402	20.0 (.79)	100
TS6/3wp	40.403	32.0 (1.26)	100
TS6/4wp	40.404	44.0 (1.73)	100
TS6/5wp	40.405	56.0 (2.21)	100
TS6/6wp	40.406	68.0 (2.68)	50
TS6/7wp	40.407	80.0 (3.15)	50
TS6/8wp	40.408	92.0 (3.62)	50
TS6/9wp	40.409	104.0 (4.10)	50
TS6/10wp	40.410	116.0 (4.57)	25
TS6/11wp	40.411	128.0 (5.03)	25
TS6/12wp	40.412	140.0 (5.51)	25
TS6/2	40.452	20.0 (.79)	100
TS6/3	40.453	32.0 (1.26)	100
TS6/4	40.454	44.0 (1.73)	100
TS6/5	40.455	56.0 (2.21)	100
TS6/6	40.456	68.0 (2.68)	50
TS6/7	40.457	80.0 (3.15)	50
TS6/8	40.458	92.0 (3.62)	50
TS6/9	40.459	104.0 (4.10)	50
TS6/10	40.460	116.0 (4.57)	25
TS6/11	40.461	128.0 (5.03)	25
TS6/12	40.462	140.0 (5.51)	25

### Dimensions mm (in.)

A = 12.0 (.472)	E = Ø4.4 (.173)	I = 4.3 (.169)
B = M3.5 x 7	F = Ø6.8 (.268)	J = 9.5 (.374)
C = 7.6 (.299)	G = 12.0 (.472)	K = 9.0 (.354)
D = 4.3 (.169)	H = Ø4.2 (.165)	M = 17.7 (.697)
		N = 23.0 (.906)