

# PCA-6105P3-5 Backplane: 5 slot BP for 5-slot Chassis, 1 PICMG 1.0, 1 ISA, 2 PCI, 1 ISA/PCI Startup Manual

## Packing List

Before you begin installing your card, please make sure that the following items have been shipped:

- 3 pin ATX signal Cable p/n: 1700030500
- PCA-6105P3-5 Startup Manual
- M4\*6\*0.7 Round Screws (8 pcs) p/n: 1939000410
- 2 Year Quality Warranty Card p/n: 2190000902

If any of these items are missing or damaged, please contact your distributor or sales representative immediately.

## Specifications

### Standard Functions

---

- **PICMG 1.0 slots:**  
PCA-6105P3-5 supports PCA-xxxx CPU boards
- **ISA slots:**  
One ISA slots (ISA 2 may be conflicted)
- **32-bit PCI:**  
Two 32 Bit / 33 MHz PCI slots
- **ISA/PCI slot:**  
One ISA/PCI slot (ISA3 and PCI1 are alternative)

### Mechanical and Environment

---

- **Dimensions:** 106.5 mm x 327.66 mm
- **Power supply voltage:** +12 V, +5 V, -12 V, -5 V, +3.3 V, +5 V SBY
- **Power requirements:** Refer to the CPU Board, add-on Card & Peripherals
- **Operating temperature:** 0 ~ 60° C
- **Weight:** 0.2 KG (weight of board)

For more information on this and other Advantech products, please visit our website at:

<http://www.advantech.com>

<http://www.advantech.com/ePlatform>

For technical support and service, please visit our support website at:

<http://service.advantech.com.tw/>

This manual is for the PCA-6105-5 series Rev.A1

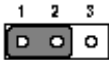
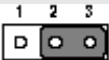
Part No. 200K610550  
Printed in China

1st Edition  
Dec. 2008

## Connectors & Jumpers

The table below lists the function of each of the jumpers and connectors:

| Connectors  |  |
|-------------|--|
| Label       | Function                                 |
| PICMG1      | PICMG1.0 CPU board slot                  |
| ISA2        | ISA slot                                 |
| ISA3/PCI1   | ISA/PCI slot                             |
| PCI2 ~ PCI3 | 32 Bit / 33 MHZ PCI Bus slot             |
| EATXPWR1    | ATX2.0 24-pin Power Connector            |
| PWR1        | ATX 12 V auxiliary 4-pin Power Connector |
| VOLT1       | Alarm board / CMM Power Connector        |
| FAN1 ~ FAN3 | FAN Connector                            |
| FANDEC1     | FAN speed detector Connector             |
| SMBUS1      | SMBus Connector for chassis monitor      |
| SMBUS2      | SMBus Connector for chassis monitor      |

| Jumpers  |                         |
|--|-------------------------|
| Label  | Function                |
| PERSON1  | ATX / AT Mode Selection |
| 1-2 closed pins<br>  | AT Mode                 |
| 2-3 closed pins<br> | ATX Mode (Default)      |

## Connector Pin Definition

| PWR1 |      |
|------|------|
| Pin  | Name |
| 1    | 12 V |
| 2    | GND  |
| 3    | GND  |
| 4    | 5 V  |

| VOLT1 |         |
|-------|---------|
| Pin   | Name    |
| 1     | 5 V SBY |
| 2     | GND     |
| 3     | GND     |
| 4     | -5 V    |
| 5     | 5 V     |
| 6     | 3.3 V   |
| 7     | -12 V   |
| 8     | 12 V    |

| FAN1 ~ FAN3 |                 |
|-------------|-----------------|
| Pin         | Name            |
| 1           | GND             |
| 2           | 12 V            |
| 3           | FANIO1 ~ FANIO3 |

| FANDEC1 |        |
|---------|--------|
| Pin     | Name   |
| 1       | FANIO1 |
| 2       | FANIO2 |
| 3       | FANIO3 |

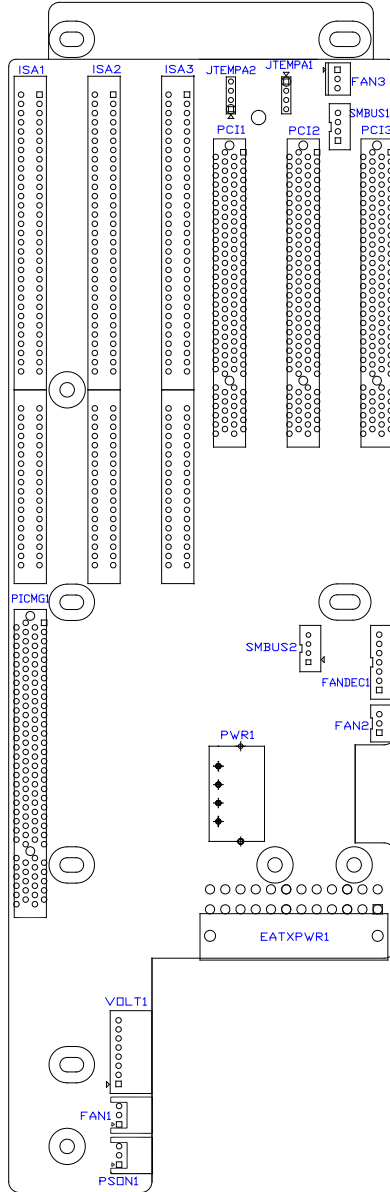
| SMBUS1 ~ SMBUS2 |          |
|-----------------|----------|
| Pin             | Name     |
| 1               | 5 V      |
| 2               | C-SMBBUS |
| 3               | C-SMBDAT |
| 4               | GND      |

## Connector Pin Definition

### EATXPWER1

| Pin | Name     |
|-----|----------|
| 1   | 3.3 V    |
| 2   | 3.3 V    |
| 3   | GND      |
| 4   | 5 V      |
| 5   | GND      |
| 6   | 5 V      |
| 7   | GND      |
| 8   | Power OK |
| 9   | 5 V SBY  |
| 10  | 12 V     |
| 11  | 12 V     |
| 12  | 3.3 V    |
| 13  | 3.3 V    |
| 14  | -12 V    |
| 15  | GND      |
| 16  | PSON#    |
| 17  | GND      |
| 18  | GND      |
| 19  | GND      |
| 20  | -5 V     |
| 21  | -5 V     |
| 22  | 5 V      |
| 23  | 5 V      |
| 24  | GND      |

# Locating Connectors & Jumpers

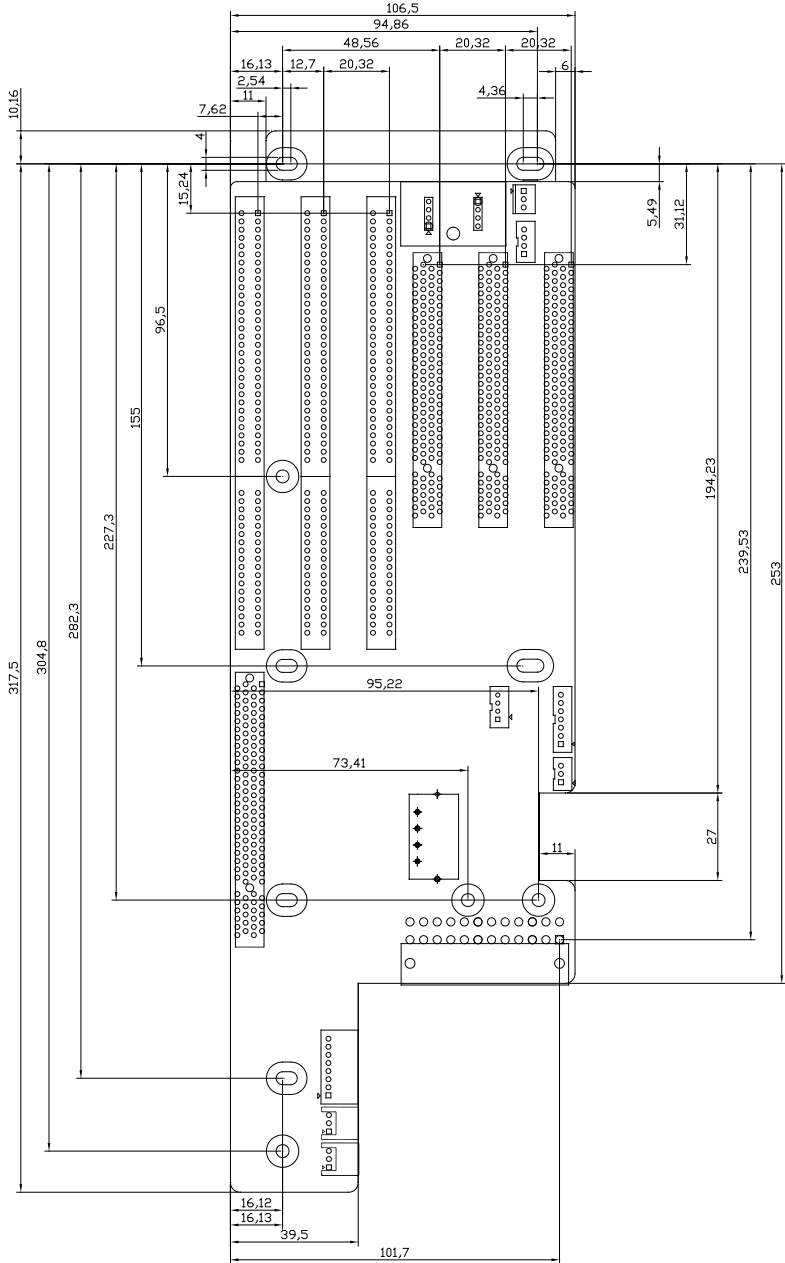


## Locating Connectors

### Notice:

- Some of ISA card installed in ISA2 may be conflicted with CPU card.
- ISA3 and PCI1 are alternative.

# Board Dimensions

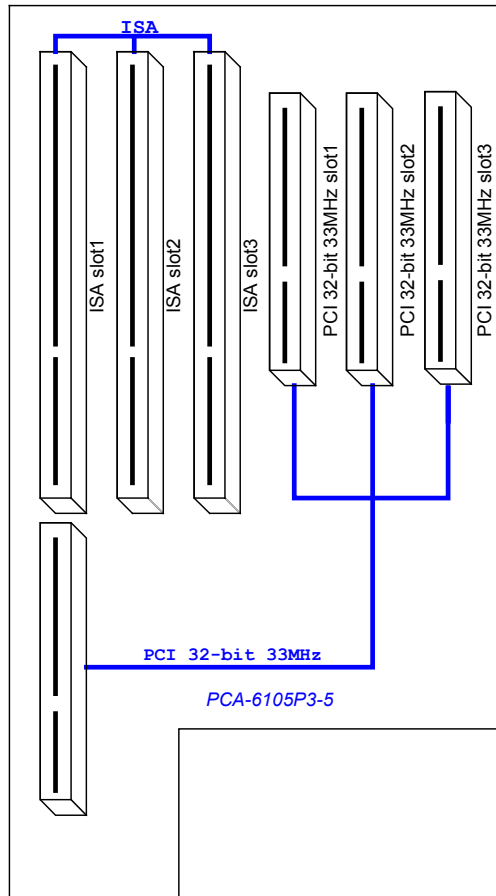


*Mechanical Drawing*

# PCI Routing Tables

| PCI Slot | IDSEL | PCI Interrupt Pin Route |      |      |      |
|----------|-------|-------------------------|------|------|------|
|          |       | INTA                    | INTB | INTC | INTD |
| PCA1     | AD30  | INTC                    | INTD | INTA | INTB |
| PCA2     | AD29  | INTD                    | INTA | INTB | INTC |
| PCA3     | AD28  | INTA                    | INTB | INTC | INTD |

# Board Diagram



PICMG\_v1.0 BACKPLANE

## Block Diagram