

# IDS-3112

## 12" SVGA / XGA Industrial Open Frame Monitor

**NEW**



### Features

- 12.1" SVGA / XGA LCD panel with LED backlight for 20% power savings, and environmental protection
- -20° C ~ +60° C wide range operating temperature
- 5-wire resistive and P-cap touch screen solution or 3mm tempered smudge resistant protected glass
- Combo touch interface, both RS-232 and USB
- Dual signal interface with VGA & DVI
- Integrated bracket for easy installation
- Versatile mounting method for rear mounting and VESA mounting
- Anti-Reflective treatment (optional)
- Ultra-high brightness: 1200 cd/m<sup>2</sup> for outdoor applications (optional)



### Introduction

The Advantech IDS-3112 Embedded Open Frame Monitor series offers flexible options for LCD, touchscreen, signal interface and chassis mounting. The series supports rear and VESA mounting. The integrated brackets provide the benefits of easy installation, and flexibility for different applications.

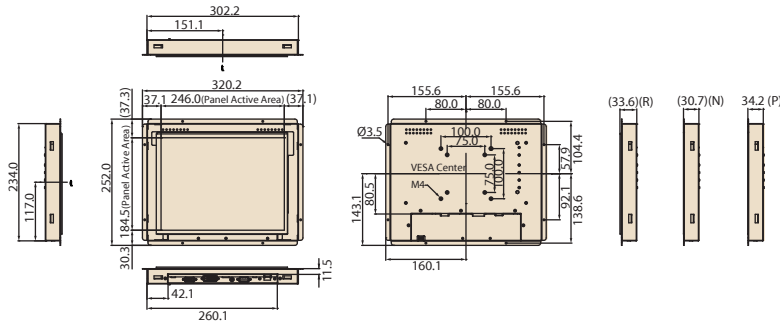
### Specifications

|                  | Model                 | IDS-3112 (XGA)  | IDS-3112 (SVGA)   | IDS-3112E (SVGA)  |
|------------------|-----------------------|---|---|---|
| Display          | Size                  | 12.1" LED panel   | 12.1" LED panel   | 12.1" LED panel   |
|                  | Resolution            | 1024 x 768 (XGA)  | 800 x 600 (SVGA)  | 800 x 600 (SVGA)  |
|                  | Viewing Angle         | 80°/80° (H), 70°/70° (V)  | 80°/80° (H), 65°/75° (V)  | 80°/80° (H), 65°/75° (V)  |
|                  | Brightness            | 600 (cd/m <sup>2</sup> )  | 450 (cd/m <sup>2</sup> )  | 450 (cd/m <sup>2</sup> )  |
|                  | Color Support         | 16.2M/262K colors   | 16.2M/262K colors   | 16.2M/262K colors   |
|                  | Contrast Ratio        | 700:1   | 700:1   | 700:1   |
|                  | Response Time         | 16 [msec]   | 35 [msec]   | 35 [msec]   |
|                  | Backlight Life (hrs)  | 50,000 hrs  | 50,000 hrs  | 50,000 hrs  |
|                  | Touchscreen           | T/S Type  | 5-Wire Resistive Touchscreen / Projected Capacitive Touchscreen   |   |
| Surface Hardness |                       | 3H / 7H   |   |   |
| Durability       |                       | 10 million touches / -  |   |   |
| Transparency     |                       | 80% / 90% ± 3%  |   |   |
| Environment      | Operating Temperature | -20 ~ 60° C (-4 ~ 140° F)   | -20 ~ 60° C (-4 ~ 140° F)   | 0~ 45° C (32 ~ 113° F)  |
|                  | Storage Temperature   | -30 ~ 70° C (-22 ~ 158° F)  | -30 ~ 70° C (-22 ~ 158° F)  | -20 ~ 60° C (-4 ~ 140° F)   |
|                  | Humidity              | 5 ~ 95% @ 40° C, non-condensing   |   |   |
|                  | Vibration             | 5-500Hz, 0.026G <sup>2</sup> /Hz, 2.16Grms, X, Y, Z<br>1 hour per axis  |   |   |
| System           | I/O                   | VGA x 1; DVI-D x 1; 12V <sub>DC</sub> Jack x 1; USB x 1; RS-232 x 1 (USB & RS-232 are reserved for the connection to enable touch usage only)                                   | VGA x 1; DVI-D x 1; 12 V <sub>DC</sub> Jack x 1; USB x 1; RS-232 x 1 (USB & RS-232 are reserved for the connection to enable touch usage only)                                    | VGA x 1; 12 V <sub>DC</sub> Jack x 1; USB x 1; RS-232 x 1 (USB & RS-232 are reserved for the connection to enable touch usage only)                 |
|                  | OSD                   | Keys; Menu, Up, Down, Auto Adjust, Monitor Power on/off<br>Menu Function: Brightness, Contrast, Screen Setting, Color Temp, Language OSD settings, VGA/DVI, Recall, Auto Adjust | Keys; Menu, Up, Down, Auto Adjust, Monitor Power on/off<br>Menu Functions: Brightness, Contrast, Screen Setting, Color Temp, Language OSD Settings, VGA/DVI, Recall, Auto Adjust. | Keys; Menu, Up, Down, Auto Adjust, Monitor Power on/off<br>Menu Functions: Brightness, Contrast, Color Adjust, Color Temp, Auto Color, and Language |
|                  | Power                 | 36 W power adapter, with AC 100 ~ 240 V input and DC +12V @ 3 A output  |   |   |
|                  | EMC Compliance        | CE/FCC/CCC  |   |   |
|                  |                       |   |   |   |

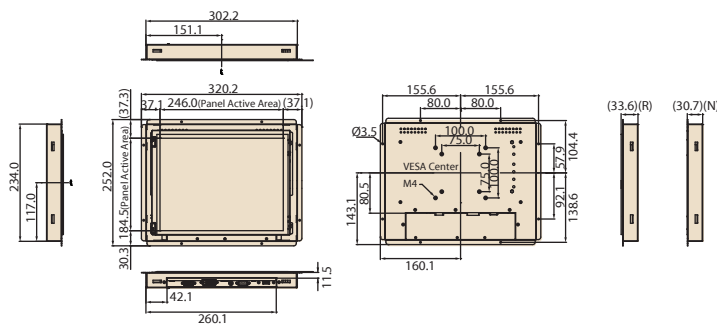
## Dimensions

Unit: mm

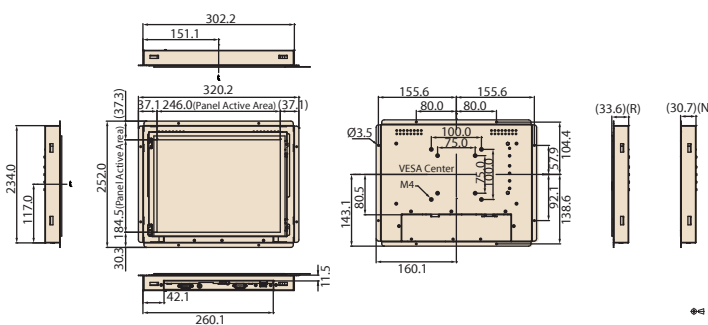
### IDS-3112 (XGA) Series



### IDS-3112 (SVGA) Series



### IDS-3112E (SVGA) Series



## Packing List

| Part Number   | Description                         |
|---------------|-------------------------------------|
| 1700002215    | 1 x M Cable USB-A(M)/USB-A(M) 180CM |
| 1700021332-01 | 1 x VGA cable 15P(M) 180 cm         |
| 1962055040    | 4 x Clamper                         |
| 1935042520    | 4 x Screw of clamper M4_25L         |
| 1992610005    | 1 x Cable clamp                     |
| 1933030500    | 1 x Screw of cable clamp            |
| 1992602010    | 1 x Cable tie                       |

\* USB Cable is only included with IDS-3112R and IDS-3112ER series. Note: Package contents are subject to change without prior notice

## Ordering Information

| Model Name         | Description   |
|--------------------|---|
| IDS-3112N-60XGA1E  | 12.1" XGA 600 cd/m <sup>2</sup> LED Open Frame Monitor                  |
| IDS-3112R-60XGA1E  | 12.1" XGA 600 cd/m <sup>2</sup> LED Open Frame Monitor with Res. Touch  |
| IDS-3112N-45SVA1E  | 12.1" SVGA 450 cd/m <sup>2</sup> LED Open Frame Monitor                 |
| IDS-3112R-45SVA1E  | 12.1" XGA 600 cd/m <sup>2</sup> LED Open Frame Monitor with Res. Touch  |
| IDS-3112EN-45SVA1E | 12.1" SXGA 450 cd/m <sup>2</sup> LED Open Frame Monitor                 |
| IDS-3112ER-45SVA1E | 12.1" SVGA 450 cd/m <sup>2</sup> LED Open Frame Monitor with Res. Touch |
| IDS-3112P-60XGA1   | 12.1" XGA 600 cd/m <sup>2</sup> LED Open Frame Monitor with P-Cap Touch |

## Optional Items

| Part Number    | Description                             |
|----------------|---|
| 1700001524     | 3-Pin Power Cord (USA)                  |
| 170203183C     | 3-Pin Power Cord (EU)                   |
| 1700008921     | 3-Pin Power Cord with PSE (Japan)       |
| 96PSA-A36W12R1 | Adaptor AC100-240V 36W +12V/3A          |
| 1700000243-11  | M cable DVI 19P(M)/DVI 19P(M) 191cm     |
| 1700091800     | CABLE 9P/9P 1.8M M/F (T/S RS-232 Cable) |