

### PS5R Standard Series Switching Power Supplies

**Key features of the PS5R standard series include:**

- Wide power range: 7.5W-240W
- Universal input :  
7.5W-50W: 85-264V AC/105-370V DC  
100W: 85-132V AC/170-264V AC  
240-370V DC (selectable)  
75W, 120W, 240W: 85-264V AC/110-350V DC
- Overcurrent/overvoltage protection
- Power Factor Correction (75W, 120W, 240W models)  
EN61000-3-3  
EN61000-3-2
- Voltage adjustment +10%
- Spring-up crew terminal, IP20 (finger-safe)
- DIN rail or panel surface mount
- Approvals:  
CE marked  
UL 508 Listed  
UL, c-UL  
TÜV approved  
EMC Directives:  
EN50081-2  
EN50082-2  
EN61000-6-2  
LVD EN60950:2000



#### Part Numbers

Item	Watts	Rated Voltage	Rated Current	Part Number	Item	Watts	Rated Voltage	Rated Current	Part Number				
	7.5	5V DC	1.5A	PS5R-A05		75	24V DC	3.1A	PS5R-Q24				
		12V DC	0.6A	PS5R-A12			100	24V DC	4.2A	PS5R-E24			
		24V DC	0.3A	PS5R-A24									
	15	5V DC	2.5A	PS5R-B05		120	24V DC	5A	PS5R-F24				
		12V DC	1.2A	PS5R-B12						240	24V DC	10A	PS5R-G24
		24V DC	0.6A	PS5R-B24									
	30	12V DC	2.5A	PS5R-C12		240	24V DC	10A	PS5R-G24				
		24V DC	1.3A	PS5R-C24									
	50	24V DC	2.1A	PS5R-D24									

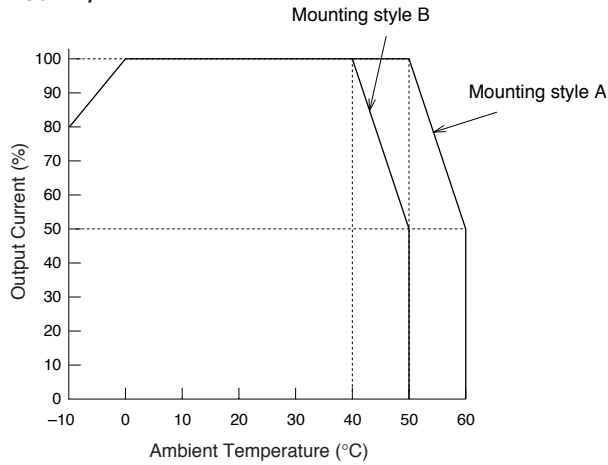
**Specifications**

Part Numbers	PS5R-A05	PS5R-B05*	—	—	—	—	—	—
	PS5R-A12	PS5R-B12	PS5R-C12	—	—	—	—	—
	PS5R-A24	PS5R-B24	PS5R-C24	PS5R-D24	PS5R-Q24	PS5R-E24	PS5R-F24	PS5R-G24
<b>Output Capacity</b>	7.5W	15W	30W	50W	75W	100W	120W	240W
<b>Input Voltage (single-phase, 2-wire)</b>	100 to 240V AC nominal (85 to 264V AC), 50/60Hz (47 to 63Hz) 110 to 340V DC nominal (105 to 370V DC)					100 to 120V AC, 50/60Hz 200 to 240V AC, 50/60Hz (jumper selectable) 240 to 370V DC		100 to 240V AC, 50/60Hz, 110 to 340V DC
<b>Input Current (typical)</b>	0.17A at 100V AC	0.3A at 100V AC	0.68A at 100V AC	1.15A at 100V AC	1.1A at 100V AC	2.5A at 100V AC 1.5A at 200V AC	1.8A at 100V AC	4A at 100V AC
<b>Internal Fuse Rating</b>	2A	2A	3.15A	3.15A	3.15A	4A	4A	6.3A
<b>Inrush Current</b>	50A maximum (at cold start at 200V AC)				70A maximum (at cold start at 230V AC)	50A maximum (at cold start at 200V AC)		70A maximum (at cold start at 230V AC)
<b>Leakage Current (at no load)</b>	0.75mA maximum (60Hz, measured in conformance with UL, CSA, VDE)							
<b>Typical Efficiency</b>	69% at 5V 75% at 12V 79% at 24V		75% at 12V 75% at 24V	79% at 24V	83% at 24V	85% at 24V	83% at 24V	
<b>Overvoltage Protection</b>	Outputs turns off at 105% (typical)							
<b>Voltage and Current Ratings</b>	5V, 1.5A 12V, 0.6A 24V, 0.3A	5V, 2.5A 12V, 1.2A 24V, 0.6A	12V, 2.5A 24V, 1.3A	24V, 2.1A	24V, 3.1A	24V, 4.2A	24V, 5A	24V, 10A
<b>Voltage Adjustments</b>	±10% (V.ADJ screw on top)							
<b>Output Holding Time</b>	20ms minimum (at full rated input and output)							
<b>Rise Time</b>	200ms maximum (at full rated input and output)							150ms max.
<b>Line Regulation</b>	0.4% maximum							
<b>Load Regulation</b>	1.5% maximum							
<b>Fluctuation due to Ambient Temperature Change</b>	0.05% maximum							
<b>Ripple Voltage</b>	2% peak to peak maximum (including noise)							
<b>Overload Protection</b>	120% typical (Zener-limiting)			120% typical, auto reset				
<b>Operation Indicator</b>	LED (green)							
<b>Parallel Operation Allowed</b>	PS5R-A	PS5R-B	PS5R-C	PS5R-D	PS5R-Q	PS5R-E	PS5R-F	PS5R-G
	No				Yes	No	Yes	
<b>Dielectric Strength</b>	Between input and output terminals: 3,000V AC, 1 minute Between input terminals and housing: 2,000V AC, 1 minute Between output terminal and housing: 500V AC, 1 minute							
<b>Insulation Resistance</b>	Between input and output terminals/input terminals and housing: 100MΩ minimum (500V DC megger)							
<b>Operating Temperature</b>	-10° to +60°C (14° to 140°F) (see derating curves)							
<b>Storage Temperature</b>	-30° to +85°C (-22° to 185°F)							
<b>Operating Humidity</b>	20 to 90% relative humidity (no condensation)							
<b>Vibration Resistance</b>	45m/s <sup>2</sup> , 10 to 55Hz, 2 hours on each of 3 axes				10 to 50Hz, 0.75mm p-p, 2 hrs on each of 3 axes			
<b>Shock Resistance</b>	300m/s <sup>2</sup> (30G), 3 shocks in each of 6 directions							
<b>Approvals</b>	Conforms to EMC Directives EN50081-2 & EN50082-2. LVD Directive EN60529 — Certified to EN60950. UL508 listed. UL, c-UL, TUV approved. CE marked. EN61000-3-2							
<b>Weight</b>	150g	170g	360g	390g	800g	600g	1200g	2000g
<b>Termination</b>	Spring-up, fingersafe terminals with captive M3.5 screws							
<b>IP protection</b>	IP20 (finger safe)							
<b>Dimensions H x W x D (mm)</b>	75 x 45 x 70	75 x 45 x 95	75 x 90 x 95	75 x 90 x 95	120 x 85 x 140	75 x 145 x 95	120 x 115 x 140	120 x 200 x 140
<b>Dimensions H x W x D (inches)</b>	2.95 x 1.77 x 2.76	2.95 x 1.77 x 3.74	2.95 x 3.54 x 3.74	2.95 x 3.54 x 3.74	4.72 x 3.35 x 5.52	2.95 x 5.71 x 3.74	4.72 x 4.53 x 5.52	4.72 x 7.87 x 5.51

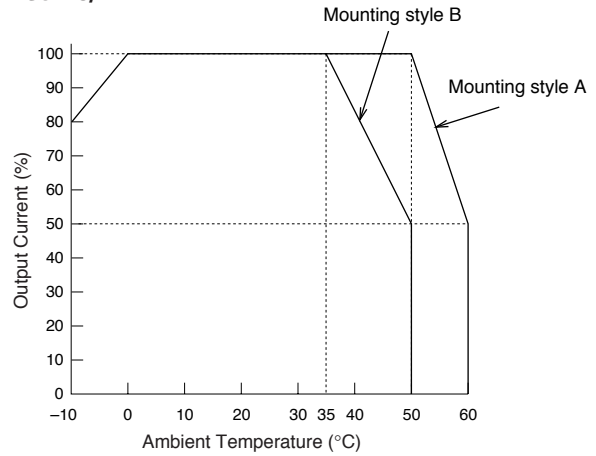
1. For dimensions, see page 117.  
2. For usage instructions, see page 116.  
3. \*12.5W for 5VDC model.

Temperature Derating Curves

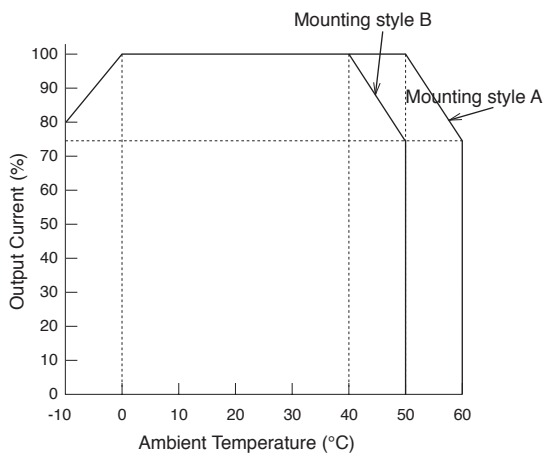
PS5R-A/B



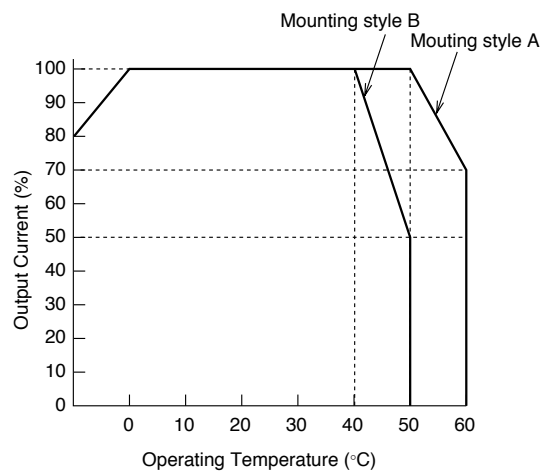
PS5R-C/D



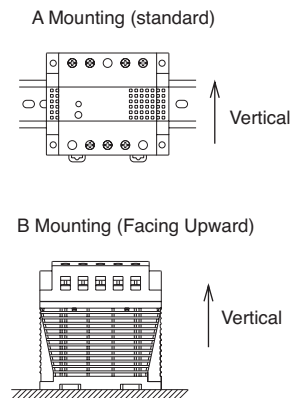
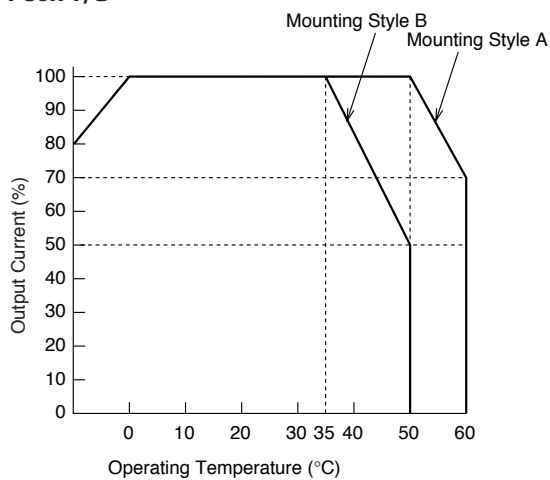
PS5R-E



PS5R-Q



PS5R-F/G



**Accessories**

**Part Numbers: PS5R Accessories**

Appearance	Description	Part Number
	DIN rail (1000mm)	BNDN1000
	DIN rail end clip	BNL5

**Installation Instructions**

**Time-Saving Spring-up Terminals**

The innovative terminals on the PS5R series use a special, spring-loaded screw. This makes installation as easy as pushing down and turning with a screwdriver. Installation time is cut in half since the screws do not need to be backed out to install wiring. The screws are held captive once installed and are 100% finger-safe. Screw terminals accept bare wire or ring or fork connectors.

1. Insert the wire connector into the slot on the side of the power supply.



2. Using a flat head or Phillips screwdriver, push down and turn the screw.

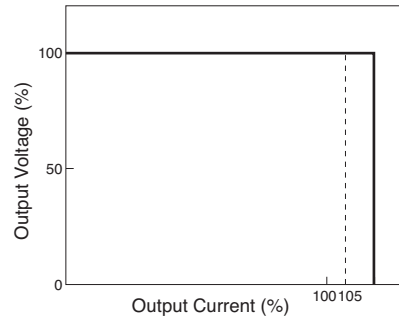
The wire is now connected, and the screw terminal is finger-safe!

**Front Panel (terminals)**

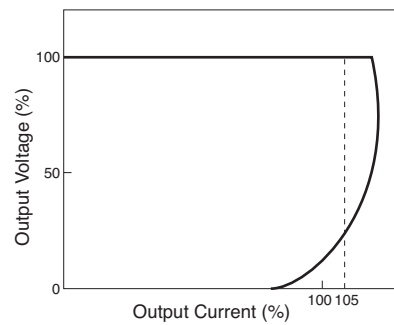
Markings	Name	Description
V. ADJ	Voltage adjustment	Adjusts within $\pm 10\%$ ; turn clockwise to increase output voltage
DC ON	Operation indicator	Green LED is lit when output voltage is on
+V, -V	DC output terminals	+V: Positive output Terminal -V: Negative output terminal
	Frame ground	Ground this terminal to reduce high-frequency currents caused by switching
L, N	Input terminals	Accept a wide range of voltages and frequencies (no polarity at DC input)
NC	No connection	Do not insert wires here, as this may damage the power supply

**Overcurrent Protection Characteristics**

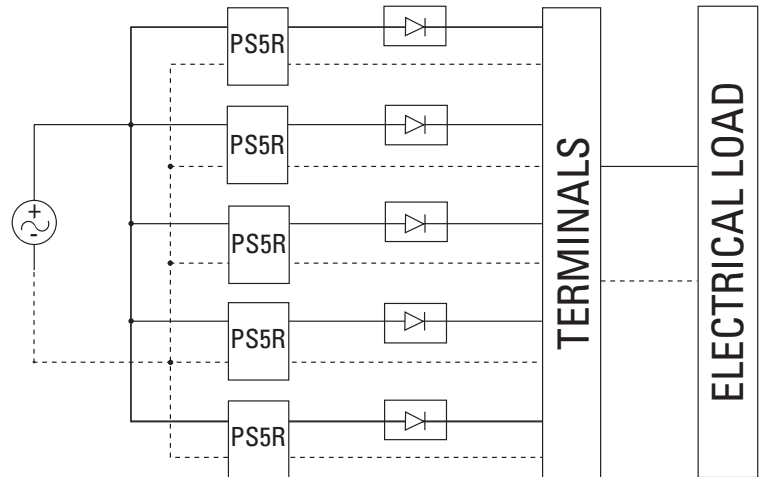
**PS5R-A/B**



**PS5R-C/D/E**



**Parallel Operation**



1. Parallel operation only recommended for PS5R-Q24, PS5R-F24 and PS5R-G24.
2. Factory recommended diode ST Microelectronics BYV54V-50, BYV54V-100, BYV54V-200, BYV541V-200 or with equivalent electrical specifications.
3. Using the voltage adjustment make sure out-voltage is the same for all power supplies.

PLCs

Operator Interfaces

Automation Software

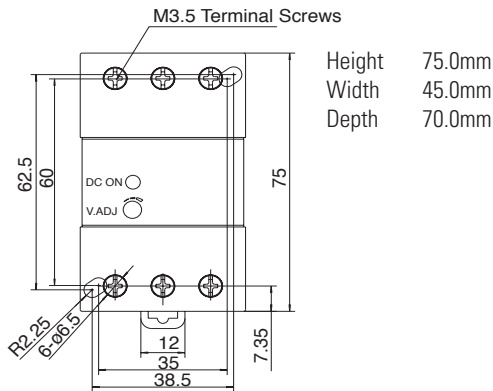
Power Supplies

Sensors

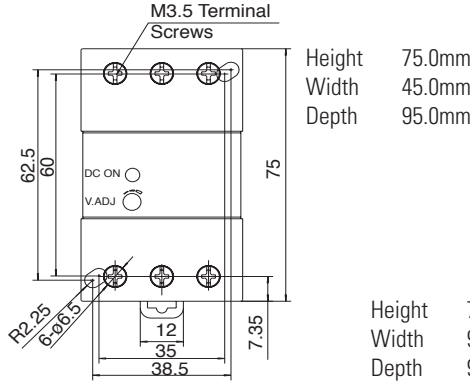
Communication & Networking

Dimensions

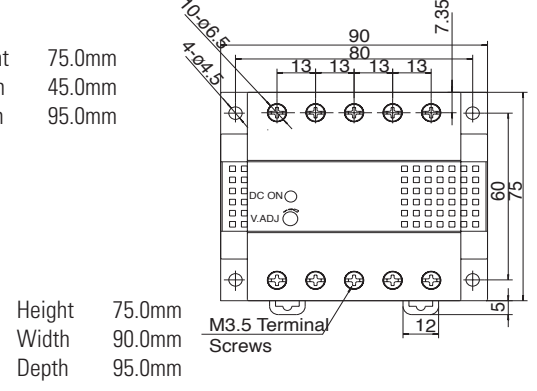
PS5R-A (7.5W)



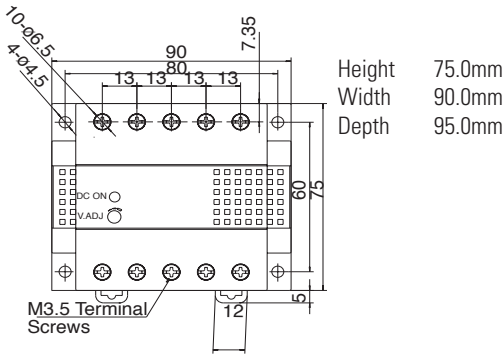
PS5R-B (15W)



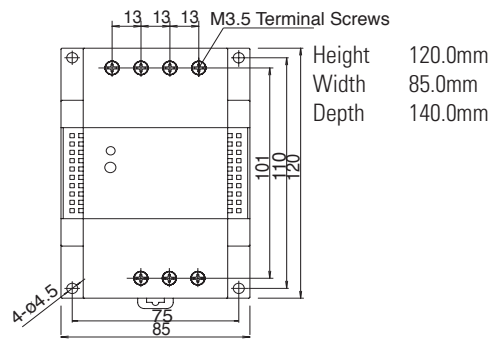
PS5R-C (30W)



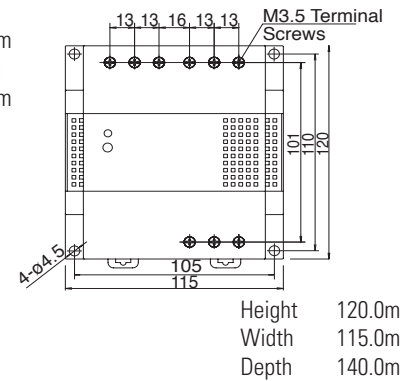
PS5R-D (50W)



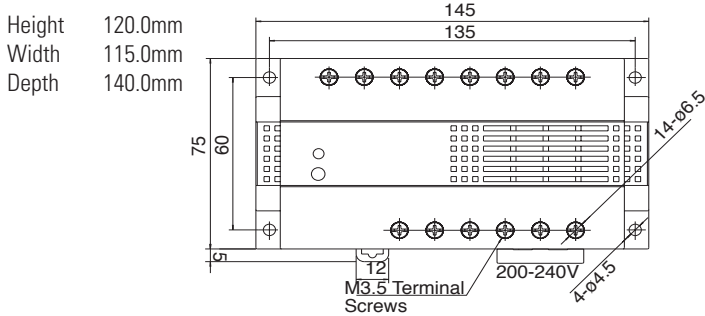
PS5R-Q (75W)



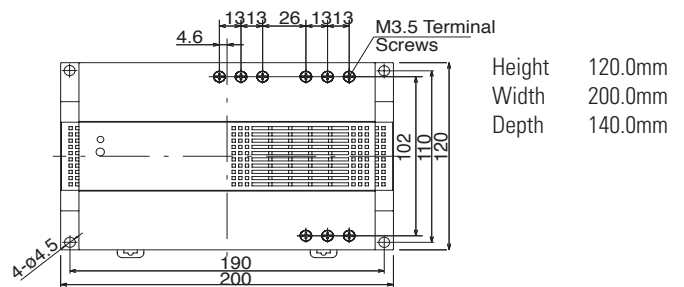
PS5R-F (120W)



PS5R-E (100W)

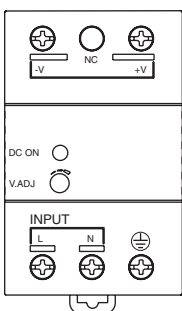


PS5R-G (240W)

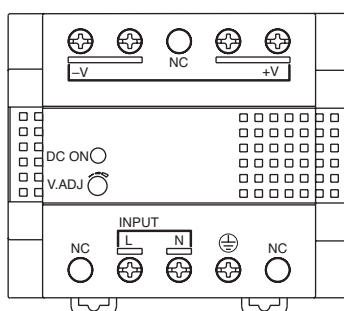


Terminal Markings

PS5R-A/B



PS5R-C/D/Q/F/G



PS5R-E

