

6

5

4

3

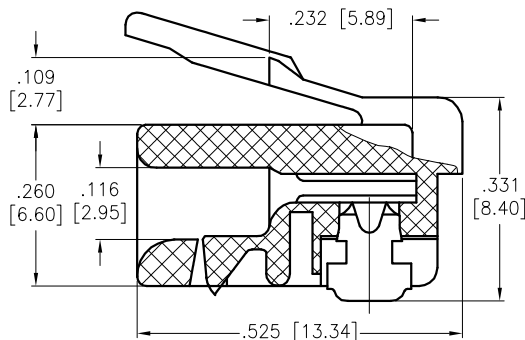
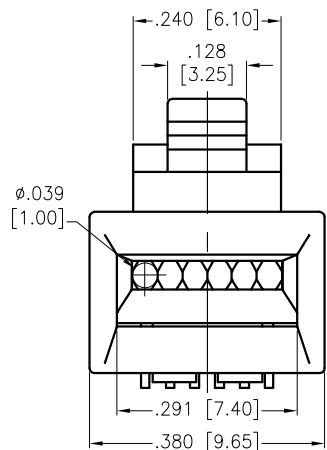
2

1

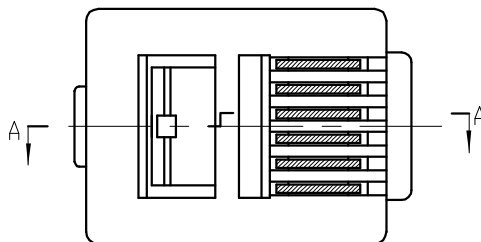
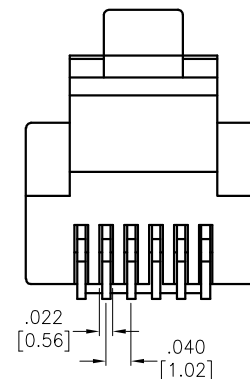
APPROVED: _____

DATE: _____ TITLE: _____

Rev	AWO #	Description	Date	Appr
-		RELEASED	10/4/04	
A		REDRAWN	12/4/12	
B		UPDATE SPEC.	11/21/17	AY/RT



SECTION A-A



SPECIFICATIONS:

Material:

Insulator: Polycarbonate, rated UL 94V-0

Insulator color: Clear

Contacts: Copper Alloy

Plating:

Gold over Nickel underplate on contact area

Electrical:

Voltage Rating: 150 VAC max

Current rating: 1.5 Amps max

Contact Resistance: 20 mohms max.

Insulation resistance: 1000 Mohms min @500 VDC

Contact to Contact: 1,000 VDC or AC Peak for 1 minute

Contact to Shield: 1,500 VDC or AC Peak for 1 minute

Temperature Rating:

Operating temperature: -25°C to +55°C

Environmental:

Lead free, RoHS compliant

"X"	PLATING
X	Gold flash
U	15 µin
W	30 µin
G	50 µin

UNLESS OTHERWISE SPECIFIED
 ALL DIMENSIONS ARE INCHES [MM]
 TOLERANCES: EXCEPT AS NOTED

INCHES		HOLES	
.X	± .10	Ø.X	± .10
.XX	± .020	Ø.XX	± .015
.XXX	± .015	Ø.XXX	± .010

ADAM TECH

909 Rahway Avenue, Union, NJ 07083
Phone: 908-687-5000 Fax: 908-687-5710

TITLE: MODULAR TELEPHONE PLUG, 6P6C
STANDARD OVAL WIRE TYPE

APPROVALS		DATE
DRAWN	SS	10/4/04
CHECKED		
APPROVED		

SIZE	PART NO.	REV.
X	MTP-66-X	B
REF: S00005C	SCALE: NTS	SHEET 1 OF 1



6

5

4

3

2

1