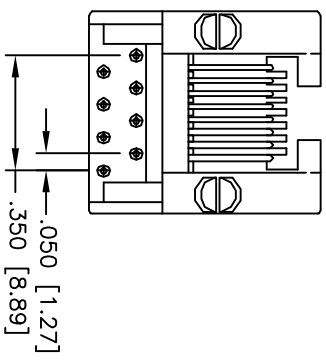
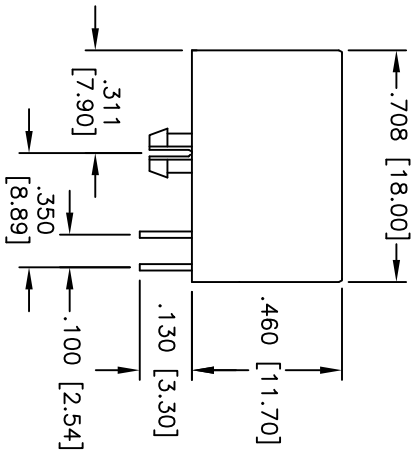
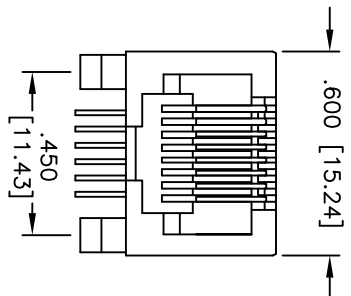
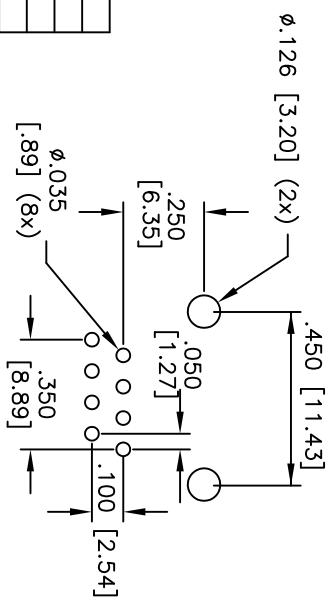


APPROVED: \_\_\_\_\_  
 DATE: \_\_\_\_\_ TITLE: \_\_\_\_\_

Rev	AWO #	Description	Date	Appr
-		RELEASED	5/25/07	
A		REVISED DIM.	2/05/10	



X	PLATING
0	15 µin Gold
1	30 µin Gold
2	50 µin Gold



**SPECIFICATIONS:**

**Material:**

Insulator: PBT, rated UL 94V-0  
 Insulator color: Black  
 Contacts: Phosphor Bronze  
 Plating:

Gold over Nickel underplate on contact area, Tin over Copper underplate on PCB tails

**Electrical:**

Operating voltage: 150 VAC max  
 Current rating: 1.5 Amps max  
 Contact resistance: 20 mohms max  
 Insulation resistance: 500 Mohms min @ 500 VDC  
 Dielectric withstanding voltage: 1000 VAC for 1 minute  
 Temperature Rating:  
 Operating temperature: -40°C to +125°C  
 Environmental:  
 Lead free, RoHS compliant.

UNLESS OTHERWISE SPECIFIED  
 ALL DIMENSIONS ARE INCHES [MM]  
 TOLERANCES: EXCEPT AS NOTED  
 INCHES HOLEES

.X	± .10	Ø.X	± .10
.XX	± .020	Ø.XX	± .015
.XXX	± .015	Ø.XXX	± .010

APPROVALS: \_\_\_\_\_ DATE: \_\_\_\_\_

DRAWN	SS	5/25/07
CHECKED		
APPROVED		

**ADAM TECH**  
 909 Railway Avenue, Union, NJ 07083  
 Phone: 908-687-5000 Fax: 908-687-5710

TITLE: MODULAR TELEPHONE JACK, 8P8C  
 RIGHT ANGLE, PCB

SIZE	PART NO.	REV.
X	MTJ-885X1	A
REF:	SCALE: NTS	SHEET 1 OF 1

