

TIGHTpak™ Toroidal Common Mode Line Choke



TIGHTpak™ Toroidal Common Mode Line Choke

Actown's Toroid style of common mode chokes are designed with patented TIGHTpak technology. Within a single layer winding 70% more turns are achievable over a traditional winding using the same size core and wire gauge.

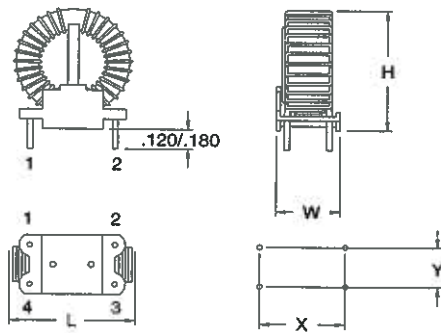
Parts are constructed to an industry standard footprint. Materials comply with 94V-0 flammability specifications. A 3mm spacer between each winding provides creepage and clearance to comply with UL, CSA, and IEC safety specifications.



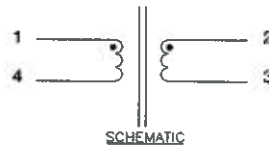
TIGHTpak winding



Traditional winding



Recommended Board Layout



Part Number	Inductance min (mH)	Current Rating Amps	Leakage Inductance max (uH)	SRF typ (Khz)	DCR max (ohms)	L Max	W Max	H Max	X (inches)	Y (inches)	Lead Diameter Nom	PC Board Hole Diameter
TPCM-2.8-3	2.83	3	50	755	0.049	1.15	0.70	1.15	0.80	0.40	0.029	0.047
TPCM-3.9-3	3.93	3	71	550	0.063	1.20	0.70	1.30	0.80	0.40	0.029	0.047
TPCM-1.7-5	1.73	5	31	1070	0.025	1.15	0.70	1.15	0.80	0.40	0.036	0.055
TPCM-2.4-5	2.41	5	45	775	0.036	1.20	0.70	1.30	0.80	0.40	0.036	0.055
TPCM-6.6-5	6.61	5	94	450	0.059	1.50	1.00	1.50	1.20	0.70	0.036	0.055
TPCM-1.0-8	1.00	8	18	1500	0.013	1.15	0.70	1.15	0.80	0.40	0.045	0.067
TPCM-4.4-8	4.35	8	60	545	0.036	1.50	1.00	1.50	1.20	0.70	0.045	0.067
TPCM-7.0-8	6.96	8	109	350	0.044	1.70	1.00	1.80	1.20	0.70	0.045	0.067
TPCM-0.8-10	0.80	10	14	1480	0.010	1.15	0.70	1.15	0.80	0.40	0.051	0.070
TPCM-3.3-10	3.27	10	49	635	0.022	1.50	1.00	1.50	1.20	0.70	0.051	0.070
TPCM-5.6-10	5.57	10	83	400	0.031	1.70	1.00	1.80	1.20	0.70	0.051	0.070
TPCM-3.8-13	3.78	13	65	510	0.021	1.75	1.00	1.75	1.20	0.70	0.057	0.079

Current rating based on 250 circular mils/amp
 Inductance measured @ 10Khz .10Vrms
 Electrical specifications at 25C
 Operating temperatures -40C to 85C
 1500 Vrms dielectric between windings
 RoHS compliant

