

GPS Active Internal Patch

APAM1268JL02V2.0

RoHS/RoHS II compliant
MSL level: N/A



12.0 x 12.0 x 6.8mm

FEATURES:

- Compact Size
- Easy to Install
- RoHS Compliant

TYPICAL APPLICATIONS:

- Automotive Navigation, Marine buoys,
- Personal Tracking
- Surveying equipment, Cell phone, Laptop,
- Healthcare and medical monitoring devices, PND, PDA

STANDARD SPECIFICATIONS:

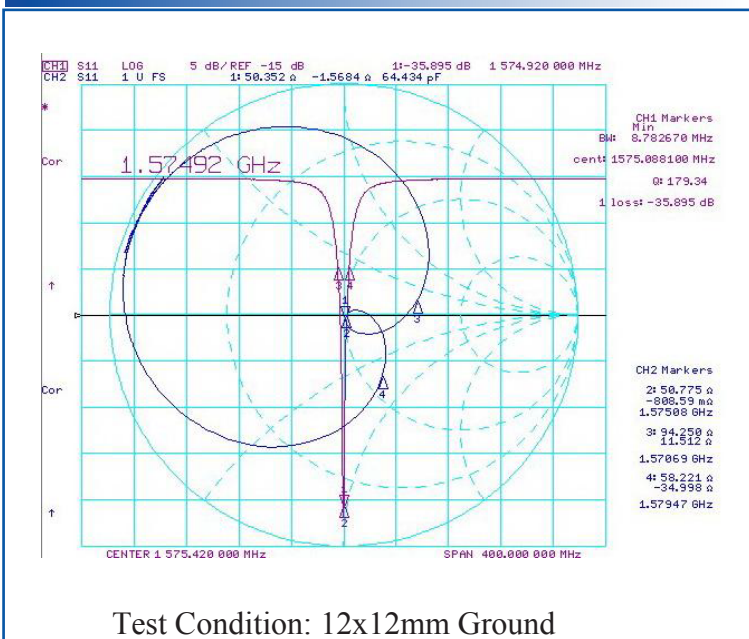
Antenna

Parameters	Min.	Typ.	Max.	Units	Note
Center Frequency	1575.42± 1.02			MHz	
Bandwidth	5			MHz	
Gain		0.0		dBic	(Peak gain on70*70mm Ground Plane facing Zenith.)
VSWR @ Center Frequency		1.5			
Polarization Model	RHCP				(Right Hand Circular Polarization)
Impedance	50			Ω	
Working Temperature	-25		+72	°C	
Storage Temperature	-45		85	°C	

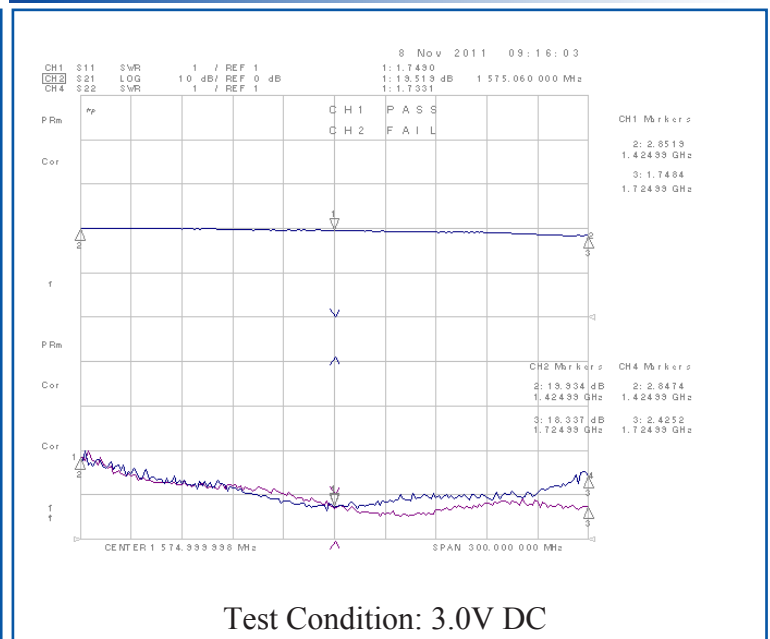
Low Noise Amplifier (LNA)

Parameters	Min.	Typ.	Max.	Units	Note
Center Frequency	1575.42± 1.02			MHz	
DC Voltage	2.70		3.30	V	
Gain		18		dB	(Without cable +25°C± 10°C)
Output VSWR		2.0			
Noise Figure		1.5			(+25°C± 10°C)
DC current		3.5		mA	(At 3.0V)

SMITH CHART



GPS LNA GAIN PLOT



5101 Hidden Creek Lane Spicewood TX 78669
Phone: 512-371-6159 | Fax: 512-351-8858
For terms and conditions of sale please visit:
www.abracon.com

REVISED: 08.03.2018

ABRACON IS
ISO9001-2015
CERTIFIED

GPS Active Internal Patch

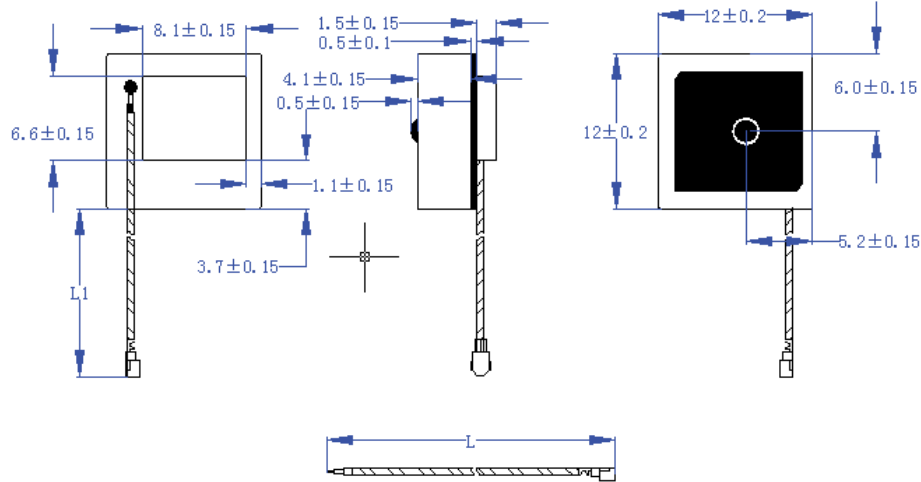
APAM1268JL02V2.0

RoHS/RoHS II compliant



12.0 x 12.0 x 6.8mm

OUTLINE DIMENSION:

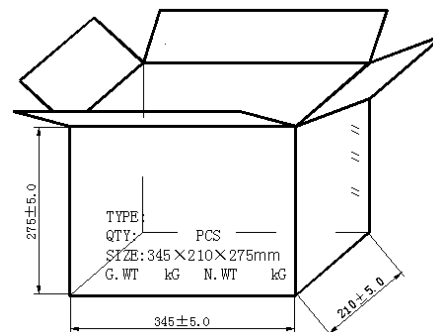
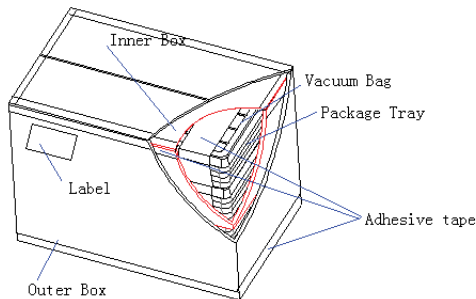
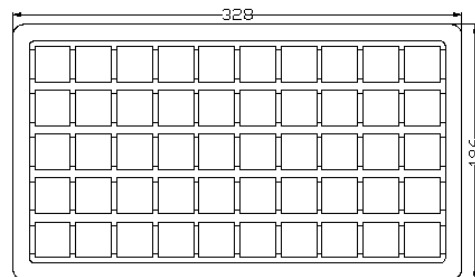


Description	Material
Antenna Type	Dielectric Ceramics
PCB	FR4
Shielding	Tinplate
RF Cable	$\phi 0.81 \pm 0.1$ mm, $L1 = 13 \pm 2$ mm, $L = 22$ mm
RF Connector	I-PEX
Thickness	6.8mm Max

Unit: mm

PACKAGING:

Package Type	Quantity
MOQ	250 pcs
Tray	50 pcs/tray
Vacuum	5 trays per Vacuum bag (250pcs per bag)
Outer Box	4 bags = 1000 pcs/carton



The GPS antenna 50 pcs are packed per tray, 5 trays are packed per vacuum bag, 4 vacuum bags per carton, and 1000 pcs GPS antenna per carton. The size of each carton is 345*210*275mm.

ATTENTION: Abracon LLC's products are COTS – Commercial-Off-The-Shelf products; suitable for Commercial, Industrial and, where designated, Automotive Applications. Abracon's products are not specifically designed for Military, Aviation, Aerospace, Life-dependant Medical applications or any application requiring high reliability where component failure could result in loss of life and/or property. For applications requiring high reliability and/or presenting an extreme operating environment, written consent and authorization from Abracon LLC is required. Please contact Abracon LLC for more information.



5101 Hidden Creek Lane Spicewood TX 78669
 Phone: 512-371-6159 | Fax: 512-351-8858
 For terms and conditions of sale please visit:
www.abracon.com

REVISED: 08.03.2018

ABRACON IS
 ISO9001-2015
 CERTIFIED