

# 3M™ MicroTouch™ System SCT3nnnEX Integration Guide

Systems SCT32nnEX  
and SCT38nnEX

Read and understand all safety information  
contained in this document before using this product.

***MicroTouch***

**3M**

The information in this document is subject to change without notice. No part of this document may be reproduced or transmitted in any form or by any means, electronic or mechanical, for any purpose, without the express written permission of 3M Touch Systems, Inc. 3M may have patents or pending patent applications, trademarks, copyrights, or other intellectual property rights covering subject matter in this document. The furnishing of this document does not give you license to these patents, trademarks, copyrights, or other intellectual property except as expressly provided in any written license agreement from 3M Touch Systems, Inc.

The information provided in this document is intended as a guide only. For the latest detailed engineering specifications, please contact your 3M Touch Systems, Inc. Application Engineer. 3M Touch Systems, Inc. is committed to continually improving product designs, as a result, product specifications may be subject to change without notification.

"RoHS compliant 2011/65/EU" means that the product or part does not contain any of the following substances in excess of the following maximum concentration values in any homogeneous material, unless the substance is in an application that is exempt under RoHS: (a) 0.1% (by weight) for lead, mercury, hexavalent chromium, polybrominated biphenyls or polybrominated diphenyl ethers; or (b) 0.01% (by weight) for cadmium. This information represents 3M's knowledge and belief, which may be based in whole or in part on information provided by third party suppliers to 3M.

**NOTICE:** Given the variety of factors that can affect the use and performance of a 3M Touch Systems, Inc. Product (the "Product"), including that solid state equipment has operation characteristics different from electromechanical equipment, some of which factors are uniquely within User's knowledge and control, it is essential that User evaluate the 3M Touch Systems, Inc. Product and software to determine whether it is suitable for User's particular purpose and suitable for User's method of application. 3M Touch Systems, Inc. statements, engineering/technical information, and recommendations are provided for User's convenience, but their accuracy or completeness is not warranted. 3M Touch Systems, Inc. products and software are not specifically designed for use in medical devices as defined by United States federal law. 3M Touch Systems, Inc. products and software should not be used in such applications without 3M Touch Systems, Inc. express written consent. User should contact its sales representative if User's opportunity involves a medical device application.

**IMPORTANT NOTICE TO PURCHASER:** Specifications are subject to change without notice. These 3M Touch Systems, Inc. Products and software are warranted to meet their published specifications from the date of shipment and for the period stated in the specification. **3M Touch Systems, Inc. makes no additional warranties, express or implied, including but not limited to any implied warranties of merchantability or fitness for a particular purpose.** User is responsible for determining whether the 3M Touch Systems, Inc. Products and software are fit for User's particular purpose and suitable for its method of production, including intellectual property liability for User's application. If the Product, software or software media is proven not to have met 3M Touch Systems, Inc. warranty, then 3M Touch Systems, Inc. sole obligation and User's and Purchaser's **exclusive remedy**, will be, at 3M Touch Systems, Inc. option, to repair or replace that Product quantity or software media or to refund its purchase price. 3M Touch Systems, Inc. has no obligation under 3M Touch Systems, Inc. warranty for any Product, software or software media that has been modified or damaged through misuse, accident, neglect, or subsequent manufacturing operations or assemblies by anyone other than 3M Touch Systems, Inc. **3M Touch Systems, Inc. shall not be liable in any action against it in any way related to the Products or software for any loss or damages, whether non-specified direct, indirect, special, incidental or consequential (including downtime, loss of profits or goodwill) regardless of the legal theory asserted.**

Copyright © 3M 2004-2011 All rights reserved.

Document Title: *3M™ MicroTouch™ System SCT3nnnEX Integration Guide*

Document Number: TSD-19-278, Revision V

3M, the 3M logo, MicroTouch, and the MicroTouch logo are either registered trademarks or trademarks of 3M in the United States and/or other countries.

Windows and/or other Microsoft products referenced herein are either registered trademarks or trademarks of Microsoft Corporation in the U.S. and/or other countries.

Linux is a registered trademark of Linus Torvalds in the U.S. and/or other countries

All other trademarks are the property of their respective owners.

# Contents

## About This Manual

|  |    |
|--|----|
| Privacy Film Option .....                | 5  |
| Sensor Configurations .....              | 5  |
| What You Need to Know .....              | 6  |
| Important Safety Information .....       | 6  |
| Important Notes for Video Displays ..... | 8  |
| Touch Sensor Care and Cleaning .....     | 9  |
| 3M Touch Systems Support Services .....  | 9  |
| Contact 3M Touch Systems .....           | 10 |

## Chapter 1

### Getting Started

|   |    |
|---|----|
| Installation Warnings and Safety Precautions .....  | 11 |
| Preparing Your Work Space .....                     | 12 |
| Identifying the Components .....                    | 13 |
| Testing the Display Video.....                      | 13 |
| Optional Power Supply for a Serial Controller ..... | 14 |
| Summary of the Installation Procedure .....         | 14 |

## Chapter 2

### Sensor Design Considerations

|                                       |    |
|---------------------------------------|----|
| Design Considerations .....           | 15 |
| Electrical Considerations .....       | 15 |
| Mechanical Considerations .....       | 16 |
| Touch System Location.....            | 19 |
| Designing Software Applications ..... | 20 |

## Chapter 3

### Installing an SCT Touch Sensor

|  |    |
|--|----|
| Installation Considerations.....                     | 21 |
| When Installing a Sensor with Privacy Film.....      | 22 |
| Disassembling the Display .....                      | 22 |
| Fitting the Sensor .....                             | 23 |
| Mounting the Sensor to the Display.....              | 25 |
| Touch Sensor Care and Cleaning.....                  | 27 |
| Inspect the Mounted Touch Sensor.....                | 28 |
| Repair or Removing the Touch Sensor (if needed)..... | 29 |

|  |    |
|--|----|
| Adding a Sealing Gasket to the Bezel ..... | 29 |
| Adding Spacers to the Bezel .....          | 30 |
| Reconnecting the Bezel and Chassis .....   | 31 |

## **Chapter 4**

### **Installing the 3M™ MicroTouch™ EX Series Controller**

|  |    |
|--|----|
| Types of Controllers.....                            | 33 |
| Disassembling the Chassis .....                      | 34 |
| Mounting the Controller Internally .....             | 35 |
| Completing Controller Mounting.....                  | 36 |
| Powering the Controller .....                        | 37 |
| Locating Power for the Controller .....              | 39 |
| Modifying the Display for the Controller Cable ..... | 39 |
| Installing Software .....                            | 41 |

## About This Manual

Congratulations on the purchase of your 3M™ MicroTouch™ System SCT32nnEX and the SCT3855EX (privacy) surface capacitive technology (SCT) sensor and welcome to the world of 3M Touch Systems — a world where using a computer is as simple as touching the sensor.

3M Touch System's innovative design for surface capacitive sensors, the 3M™ MicroTouch™ SCT sensor incorporates advanced production techniques that result in high quality sensors. The SCT sensor's sleek design provides easy installation in displays. The clear border and wide viewing area, combined with durability, reliability, high transmission, and superior optical clarity, make the SCT surface capacitive sensor the ideal choice for all your touch applications.

### Privacy Film Option

You may have purchased the privacy screen option. In which case, you know that Vikuiti™ Advanced Light Control Film (ALCF) is a simple, highly effective way to help protect the security of your display screens and those who use them.

Vikuiti™ Advanced Light Control Film protects displayed information from a side view while not blurring or distorting on axis, or direct view of screen data. Vikuiti™ ALCF is a highly effective way to help prevent the loss of corporate or personal confidential information and helps ensure compliance with current privacy legislation. This unique 3M technology helps ensure privacy compliance in banking, healthcare and ATM applications.

### Sensor Configurations

SCT sensors (with or without privacy film) are available in a variety of sizes, for use on a variety of displays. These sensors come in three different configurations:

- With a 5-pin connector to attach to an EX11n series controller;
- Mated with an EX11n series controller;
- With a 12-pin connector for EX12n series controllers.

|               | Large form factor             | Small form factor |
|---------------|-------------------------------|-------------------|
| <b>Serial</b> | EX122 series<br>EX142 (cased) | EX112 series      |
| <b>USB</b>    | EX121 series<br>EX141 (cased) | EX111 series      |

Each SCT sensor requires a touch controller. Refer to the appropriate 3M™ *MicroTouch™ Controller EX Reference Guide* and the 3M™ *MicroTouch™ MT 7 Software User Guide* for more information on your touch system. All technical documentation is available from the 3M Touch Systems website at <http://www.3m.com/touch/>.

3M Touch Systems is committed to being a premier supplier of touch systems throughout the world. As a 3M Touch Systems customer, you are aware that we have strong internal programs designed to meet or exceed environmental regulations of our customers and the regions in which we conduct business.

## What You Need to Know

This manual describes how to complete the following tasks:

- Disassemble your display (if necessary)
- Mount the sensor to the display
- Install the touch controller

### **WARNING**

#### **To avoid the risk of electric shock which could result in serious injury or death:**

You must be a qualified technician with experience in assembling and disassembling different types of displays. You must know the specifics of your display and have access to its documentation.

There may be hazardous voltages present in the display. If you do not understand display electronics, you may injure yourself, damage the sensor, or damage the controller.

## Important Safety Information

Read and understand all safety information before using this product. Follow all instructions marked on the product and described in this document. Pay close attention to the following installation warnings and safety precautions.

### **Intended Use**

The 3M™ *MicroTouch™ System SCT3nnnEX Integration Guide* is intended to instruct and guide you in the integration of a SCT EX Touch System into an existing flat screen display. These sensors are intended for indoor use only and are not designed for use in hazardous locations.

### Explanation of Signal Word Consequences

**⚠ DANGER:** Indicates a potentially hazardous situation, which, if not avoided, will result in death or serious injury and/or property damage.

**⚠ WARNING:** Indicates a potentially hazardous situation, which, if not avoided, could result in death or serious injury and/or property damage.

**⚠ CAUTION:** Indicates a potentially hazardous situation, which, if not avoided, may result in minor or moderate injury and/or property damage.

**CAUTION:** Indicates a potentially hazardous situation, which, if not avoided, may result in property damage.

### **⚠ DANGER**

**To avoid the risk of fire and/or explosion which will result in serious injury or death:**

- Do not install or use this product in a hazardous location.

### **⚠ WARNING**

**To avoid the risk of electric shock which could result in serious injury or death:**

- Do not use a damaged power supply.
- Do not use a power cord that is frayed or otherwise damaged.
- You must be a qualified technician with experience in assembling and disassembling different types of displays. You must know the specifics of your display and have access to its documentation. There may be hazardous voltages present in the display. If you do not understand display electronics, you may injure yourself, damage the sensor, or damage the touch controller.

**To reduce the risk of fire and/or explosion which could result in serious injury or property damage:**

- Do not install or use this product in a hazardous location.
- Do not use this product in any outdoor environment unless NEMA standards (or similar standards such as IP rating) are followed.

**To avoid the risk of electric shock which may result in minor or moderate injury:**

- Do not service the display.
- Do not use non-conforming replacement parts.
- Do not place wet or damp objects on the display.
- Do not expose the display to rain or other sources of water, steam, or moisture.
- Do not place foreign objects on the display or its cables.

### **⚠ CAUTION**

**To reduce the risks associated with improper disposal, which if not avoided may result in minor or moderate injury from ground water contamination:**

- Dispose of components in accordance with local, state, and federal regulations.

|   |
|---|
| <b>⚠ CAUTION</b>  |
| <p><b>To avoid the risk of glass breakage which may result in minor or moderate injury:</b></p> <ul style="list-style-type: none"> <li>• Handle the sensors with care to avoid breaking the glass. Be aware of cracked or broken sensors with sharp edges.</li> <li>• If you need to remove the sensor for servicing, do not try to pry the sensor off the display. You may break the glass and injure yourself or others.</li> </ul>   |
| <p><b>To avoid the potentially hazardous situations associated with the use of alcohol or other solvents which may result in minor or moderate injury or property damage:</b></p> <ul style="list-style-type: none"> <li>• Follow all instructions and recommendations in the manufacturer's Material Safety Data Sheet and product label.</li> <li>• Be sure to follow solvent manufacturer's precautions and directions for use when using any solvents</li> <li>• It is important to avoid using any caustic chemicals on the touch sensor. Do not use any vinegar-based solutions.</li> </ul> |
| <p><b>To avoid possible environmental contamination which may result in minor or moderate injury:</b></p> <ul style="list-style-type: none"> <li>• Dispose of the display according to applicable governmental regulations.</li> </ul>  |
| <p><b>To reduce the risks associated with exposure to lead:</b></p> <ul style="list-style-type: none"> <li>• Wear protective gloves while handling PCB components.</li> </ul>   |

## Important Notes for Video Displays

- When unplugging the power supply cord, hold the plug, do not pull by the cord.
- Do not connect or disconnect this product during an electrical storm.
- Remember to take into account that the operating temperature of the installation may be greater than the room ambient, and consideration should be given to installing the unit in an environment compatible with the maximum rated operating temperature. Specifications can be found in the product data sheet on the 3M Touch Systems website [at http://www.3m.com/touch/](http://www.3m.com/touch/).
- When installing the unit, ensure that it does not restrict the flow of air to any other equipment within the installation required for safe operation.
- Install the display in a well-ventilated area. Always maintain adequate ventilation to protect the display from overheating and to ensure reliable and continued operation.
- Do not expose this display to direct sunlight or heat. Passive heat may cause damage to the housing and other parts.
- Do not install this display in areas where extreme vibrations may be generated. For example, nearby manufacturing equipment may produce strong vibrations. The vibrations may cause the display to exhibit picture discoloration or poor video quality.
- Ensure the metal enclosure does not contact the touch sensor.



- Be sure to gasket the display to its enclosure properly to prevent damage to the touch sensor.
- To avoid ergonomic concerns:  
Do not install the display in a manner or location with awkward accessibility. Extended use may result in muscle, tendon, or fixed posture strains. It is recommended you take periodic breaks from continuous use.

## Touch Sensor Care and Cleaning

The touch sensor requires very little maintenance. 3M Touch Systems recommends that you periodically clean the glass touch sensor surface. Be sure to turn off your display before cleaning.

Typically, an isopropyl alcohol and water solution ratio of 50:50 is the best cleaning agent for your touch sensor. You can also use straight isopropyl alcohol.

### CAUTION

**To avoid the potentially hazardous situations associated with the use of alcohol or other solvents which may result in minor or moderate injury or property damage:**

- Follow all instructions and recommendations in the manufacturer's Material Safety Data Sheet and product label.
  - Be sure to follow solvent manufacturer's precautions and directions for use when using any solvents
  - It is important to avoid using any caustic chemicals on the touch sensor. Do not use any vinegar-based solutions.
- Apply the cleaner with a soft, lint-free cloth. Avoid using gritty cloths.
  - Always dampen the cloth and then clean the sensor. Be sure to spray the cleaning liquid onto the cloth, not the sensor, so that drips do not seep inside the display or stain the bezel.

## 3M Touch Systems Support Services

3M Touch Systems, Inc. provides extensive support services through our website and technical support organization. Visit the 3M Touch Systems website at <http://www.3m.com/touch/>, where you can download MT 7 software and drivers, obtain regularly updated technical documentation on 3M Touch Systems products, and learn more about our company.

Whenever you contact Technical Support, please provide the following information:

- Touch display size, part number and serial number
- Current driver version
- Operating system used
- Information on additional peripherals

Technical Support is available Monday through Friday 8:30 a.m. to 5:30 p.m. with limited call back service after 5:30 p.m. until 8:00 p.m. US Eastern Standard Time – 9 a.m. to 5 p.m. throughout Europe.

You can contact 3M Touch Systems, Inc. Technical Support (US only -- Eastern Standard Time) by calling the hot line, sending email or a fax.

- Technical Support Hot Line: 978-659-9200
- Technical Support Fax: 978-659-9400
- Toll Free: 1-866-407-6666 (Option 3)
- Email: US-TS-techsupport@mmm.com

## Contact 3M Touch Systems

Contact information for all offices can be found on our website at:

<http://www.3m.com/touch/>

## CHAPTER 1

# Getting Started

The 3M™ MicroTouch™ Sensor SCT makes using computers as simple as touching the screen. To begin installing your SCT sensor, take a few minutes to review this chapter. It is your roadmap to a successful installation. This manual describes how to retrofit a display with a sensor. However, the principles apply equally well to larger systems integrated with sensors at an OEM level.

- Pay close attention to the installation warnings and safety precautions. Disassembling a display can be a dangerous procedure. Be sure to follow all manufacturers' recommendations for assembly and disassembly of your display.
- Make sure you have the necessary equipment before starting the installation. Refer to *Supplies and Tools Needed for the Installation* later in this chapter.
- Set up a clean, comfortable, and spacious working area. Having sufficient room to work makes the installation easier.
- Test your display to ensure good working condition before you install the sensor.
- Identify the different components to install and review the summary of the installation procedure. It is important to know how all the pieces eventually fit together before disassembling your system.

---

**Note:** If any points within this guide are unclear to you, or further clarification is necessary, please contact your 3M Touch Systems applications engineer.

---

## Installation Warnings and Safety Precautions

3M Touch Systems recommends that only qualified display technicians install the sensor for the following reasons:

- Due to the risk of injuring yourself
- Due to the danger of hazardous voltages present in the display
- Due to the risk of accidentally damaging the sensor
- Due to the risk of altering the LCD's critical circuits

If you decide to install the sensor, take the following precautions:

- Follow each procedure carefully, work with the system powered off and unplugged, and observe all warnings.
- Protect your investment. The sensor is a glass product. You must handle it with care.

---

**Note:** Consult the display manufacturer to find out whether the original warranty will be affected if you install the sensor. Also, determine who will recertify the display. Recertification will be necessary to comply with safety and FCC or CE regulations.

---

## Supplies and Tools Needed for the Installation

Before starting the installation procedure, check that you have all items listed below.

### Supplies Needed

- Safety glasses
- Small containers for holding loose parts (paper cups)
- Electrical tape (or black acetate tape)
- Clean soft cloth and glass cleaner for the display and sensor
- Replacement screws for mounting flat panel to bezel or chassis
- Ring lugs or crimps
- Nylon spacers and washers
- Clean, anti-static pad
- Foam pad (optional)
- Felt-tip marker pen
- Cable tie-wraps
- Lead-free solder (RoHS compliant)
- Sealing tape – Flat, closed-cell foam (single sided adhesive)
- Mounting tape -- closed cell acrylic foam 3M VHB 4956 (double sided adhesive)

### Tools Needed

- Flat-blade screwdriver with insulated handle
- Razor knife or single-edge razor blade
- Compressed air (optional)
- Wire stripper
- Phillips-head screwdriver
- Soldering iron
- Center punch
- Power drill
- Variety of drill, tap, and spade bits
- Dremel® tool or nibbler

## Preparing Your Work Space

### Comfortable Work Area

Select a comfortable work area with adequate space and lighting. Make sure that the area is free of clutter and/or objects that could scratch the sensor and display. 3M Touch Systems recommends an area of at least nine square feet. You will need this space to handle components safely and to set major components aside during the installation.

## ESD Workbench

A certified ESD workbench is recommended when working with electronics assemblies.

## Protective Material

Place anti-static protective material on the work surface. A padded surface protects equipment from scratches during installation.

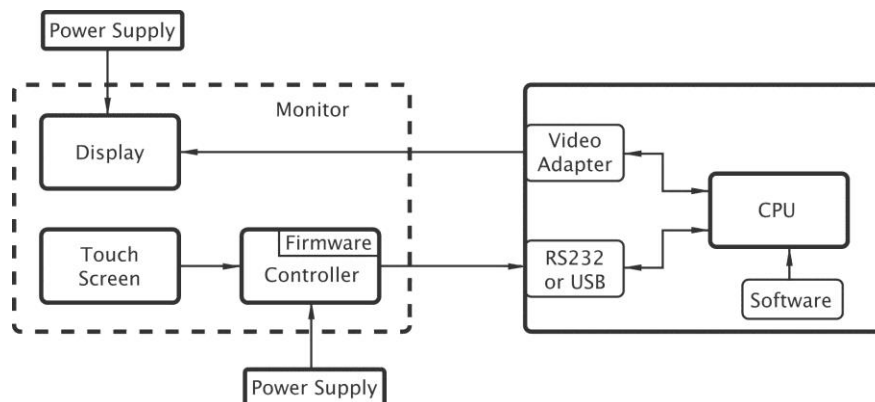
## Small Containers

Have several small containers (such as paper cups) available to hold screws, washers, and other small components once you remove them.

## Foam Pad

A foam pad is useful for holding the display while attaching the sensor. The pad makes the sensor easier to rotate for fastening screws, taping, etc.

## Identifying the Components



65-2809

The following components are needed for a successful integration:

- A SCT touch sensor
- An EX controller (either USB or serial )
- A USB cable (7319420) or serial cable (7310101)
- Software and technical documentation found on the <http://www.3m.com/touch/>.

Save the invoice, shipping container, and all packing material in case you need to transport the equipment any time in the future.

## Testing the Display Video

Whether you are installing the sensor on a new or older display, you should make sure that the display is in good working condition and the video output is functioning properly. Your initial test should verify that the video functions properly before you install the sensor. You can also compare your results with the results you get after you complete the installation.

If the display is functioning properly, turn off your system, disconnect power plugs, and disconnect all cables from the display. You are ready to disassemble the display and install the sensor.

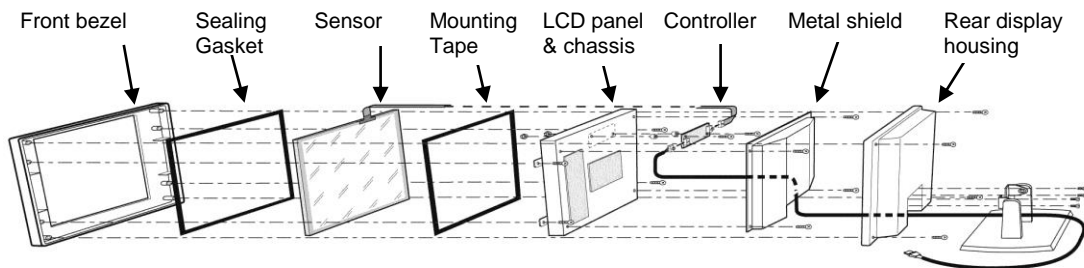
## Optional Power Supply for a Serial Controller

If you are using a serial controller, you may need some additional equipment depending on power and port requirements. Serial controllers include the EX112 and EX122 controllers.

When installing a serial controller, you must supply power to the controller. You can use internal power (using the NOVRAM cable orange/grey/green power wires tap power from inside the display) or use external power. If you decide to use external power, you will need a power supply. If you are using a standard RS-232 serial cable (P/N 7310101), or a cased EX controller, consult your applications engineer for power supply specifications. For countries that use a 230/240-volt main system, it may be necessary to purchase a power supply locally.

Details on the power requirements of the EX series controllers can be found in the *EX Serial Controller Reference Guide* available at <http://www.3m.com/touch/>.

## Summary of the Installation Procedure



You can install a 3M™ MicroTouch™ sensor on most displays. Although each particular display may have some unique integration considerations, the basic installation process consists of the following steps:

- Test that the display's video works properly
- Disassemble the display (if necessary)
- Mount the sensor to the front of the panel
- Install the controller (internally or externally)
- Reassemble the display
- Connect the display and sensor to your computer system

## CHAPTER 2

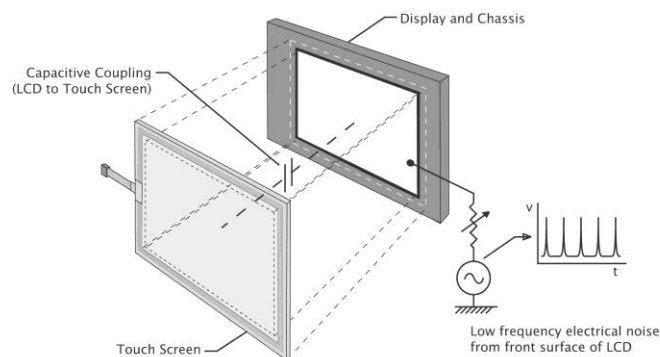
# Sensor Design Considerations

## Design Considerations

The 3M™ MicroTouch™ SCT sensors are available in a variety of sizes, for use on a variety of displays. These sensors come in three different configurations: one with a 5-pin connector to attach to an EX11*n* series controller; one mated with an EX11*n* series controller; and one with a 12-pin NOVRAM connector for EX12*n* series controllers.

The standard SCT sensor is designed and produced without a backshield and takes advantage of the superior sensitivity and noise rejection of EX controllers. Refer to the *EX Controller Reference Guide* for information on how to select signal frequency for best EMI rejection.

## Electrical Considerations



## EMI and Shielding

The front surfaces of displays carry potentials that fluctuate at the harmonics of display scan frequencies. The EX series controllers default to a frequency (95.7 kHz) selected for best rejection of common LCD frequencies. Refer to the *MT7 Software User Guide* for additional information on how to change frequency. All technical documentation is available from the 3M Touch Systems website at <http://www.3m.com/touch/>.

## LCDs

The primary problem with some new types of LCD displays in a capacitive sensor environment is that they generate much more electrical noise than their predecessors. The excessive electrical noise generated by these displays may couple into the sensor circuitry and be interpreted by the controller as a touch signal.

A surface capacitive sensor attached to the face of a display acts like a large capacitor meaning that it can be charged or discharged continuously. The capacitor consists of 2 plates: one is the face of the display and the other is the sensor. In addition, some displays exhibit varying effective impedance to ground.

Displays should be equal to or larger than the installed sensor. Inadequately supported sensors may be susceptible to mechanical bending. Excessively large sensors are more susceptible to stray capacitance changes, when mechanical distortions are present.

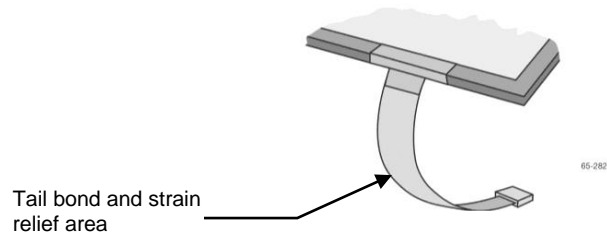
## Mechanical Considerations

### Tail Routing

To minimize the risk of electromagnetic interference, never run the sensor tail near or over the backlight inverter or power supply. Although the tail is shielded, the noise generated by an inverter is broadband and can contain frequencies close to the signal frequency.

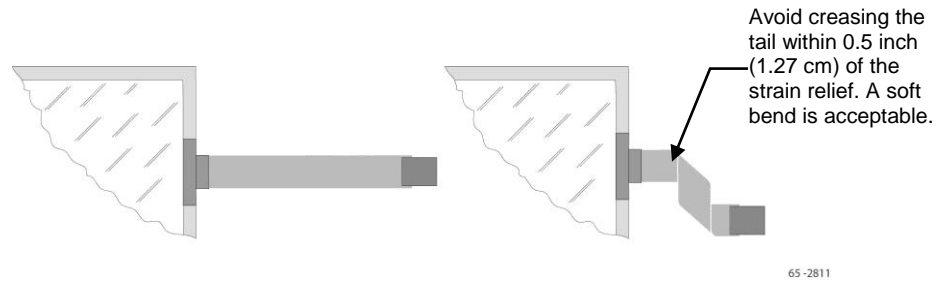
The sensor tail is not a handle. Never pick your sensor up by the tail. It is an electrical connection and is not designed for high stress.

Do not place constant stress on the tail during handling or integration. Do not expose the tail to mechanical stresses because of the integration design. Provide adequate slack to ensure there is no straining on the tail. Avoid lateral pulls that may overstress the outermost electrical contacts on the glass.



Always design your sensor integration with the flex tail exiting from the top or sides of the display. Never design tail exits from the bottom as spills could accumulate in the tail attachment area and cause electrical shorting.





The sensor tail is designed to be flexible, and it may be creased *once in a single direction*, in multiple locations along the tail and then secured in position with a light adhesive tape. Avoid angular creases (45°) to the tail directly in the area of the bond and tape strain relief.

The sensor tail should not move freely after assembly. Apply tape or another light adhesive to secure the tail in a manner that does not apply stress to the tail.

Apply tape or other insulating material to sharp edges to protect the tail. Route the cable away from sharp edges whenever possible. If this cannot be avoided, secure the tail so it does not move.

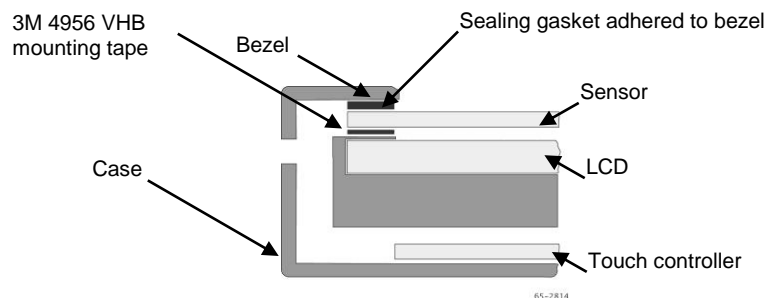
---

**Note:** 3M Touch Systems does not recommend metal sensor mounting brackets. If metal sensor mounting brackets must be used, be sure to keep tail bends away. Make sure that all metal brackets are grounded.

---

## Sealing Gasket to Bezel

Single-sided tapes, adhered to the bezel, make for easy sealing of the sensor. Simply align and adhere the tape to the bezel edge. Gaskets should contact the sensor perimeter to ensure a good seal without interfering with the viewing area. Do not adhere the gasket to the sensor surface.



Attach sensor directly to LCD. Avoid mounting LCD and sensor independently to a common bezel. Stresses applied to the bezel may influence the gap between the sensor and the LCD. This may cause erratic operation and false touches.

Avoid attaching the sensor to a door, if the display is attached to a cabinet. If this cannot be avoided, do not operate the sensor with a partially open door, which will cause erratic operation such as jittery cursor and variable offsets. Upon closing the door, always reset the controller.

The compression of the sealing gasket should be evenly distributed to the glass surface. Be aware of and follow material manufacturer's recommended compression specifications. 3M Touch Systems has successfully used Volara® 2AF tape for this purpose.

Proper gasketing is critical to any successful sensor integration. All displays, regardless of environment, will be exposed to dust, dirt, spills, and grime and should be sealed with gaskets. Gasketing is relatively simple and straightforward. It can be either an o-ring or a flat, closed cell foam gasket applied around the perimeter of the bezel.

We recommend using nonacidic, pH neutral 3M brand tapes to seal your bezel and sensor. 3M foam tapes provide superior resistance to moisture and chemicals over other traditional cellular foam tapes.

---

**Important Note:** Be aware that certain sealing materials may contain active chemicals (such as sulfur, acidic compounds or chlorine) that can, if allowed to diffuse, tarnish the silver conductors and thus affect the operation of the sensor. In selecting sealing materials, it is important to know the chemical compounds used in the formulation and to avoid chemically active, corrosive, and/or recycled materials made from unknown ingredients.

Certain types of neoprene gaskets contain an excess of sulfur that makes them unacceptable for this purpose. It is essential that the user evaluate this product to determine whether it is suitable for their particular purpose and method of application. Common x-ray fluorescence testing by an analytical lab can differentiate gasket composition.

---

## Mounting Tape to LCD

The sensor must be mounted such that the spacing between the sensor and LCD does not vary due to compression or expansion from touch forces or temperature changes. For optimal performance, we strongly recommend using 3M brand 4956, 4956F, or 4979F tape for this purpose. Failure to mount the sensor in this fashion may result in reduced accuracy.

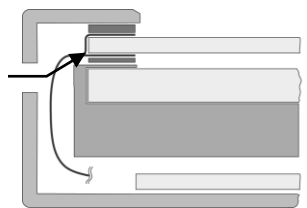
---

**Note:** If using a sensor with privacy option, remove the protective backing on the privacy sensor. When using 3M VHB applied to the privacy film, be sure to stay within recommended temperature guidelines (-50C to +70C).

---

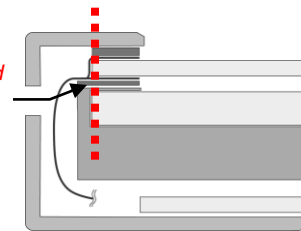
Tape extending beyond the sensor edge may cause excessive stress on the tail connection. Apply the tape to the sensor surface, rather than the display, to ensure proper alignment.

*DO:*  
Mounting tape should align with sensor.



65-2839

*DON'T:*  
Mounting tape should not extend beyond the sensor.



65-2840

---

**Note:** 3M VHB acrylic foam tapes (Product Numbers 4956, 4956F, or 4979F) are well suited for this purpose. These tapes were chosen for their thermal properties. The typical Thermal Coefficient of Expansion for these tapes is  $1.8 \times 10^{-4}$  mm/mm/°C.

These recommended tapes have been tested to be stable over the published sensor operating temperature range. ***Any other mounting tape must be tested by the user to stability requirements before installing in sensors.***

It is essential that the user evaluate this product to determine whether it is suitable for their particular purpose and method of application.

---

**Caution:** The gasket tape should have a minimum thickness of 1/16 inch (1.587 mm). Avoid using thinner tapes. If thicker tape is needed, it is okay to double the recommended VHB tape. Do NOT use highly compressible tapes.

---

## Metal Enclosures

Because conductive surfaces can present a stray capacitive loading to the sensor, you must be careful when positioning the sensor near metallic objects or materials. The following guidelines will help ensure a successful installation.

Do not let any metal — such as metal mounting brackets, screws or the display's metal housing — *physically* contact the front or sides of the sensor. This could be recognized as a touch.

In the design phase, avoid metal bezels whenever possible. If your current design has a metal bezel, ensure that it does not directly contact the sensor. The bezel should be appropriately grounded and very rigid. Use insulating tape or gasketing as a spacer.

Be aware that some plastic bezels have conductive paint that could act as a metal bezel so the same design rules apply in these instances.

Take measures to ensure that a metal bezel presents a constant and stable stray capacitive path to ground at least during operation. If there is a conductive door or bezel, send a reset command to compensate for stray capacitance changes after closing the door. On most enclosures, a reset can be generated using the door open/close switch.

## Touch System Location

Keep in mind the optics of the sensor. Remember that different sources of light such as outdoor (natural sunlight) and indoor (incandescent or fluorescent) can cause different effects when viewing the sensor.

Remember that lighting changes over the course of a day and depends on weather. Consider the brightness of an area and how it will affect readability of the computer display.

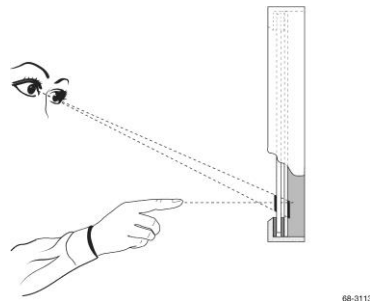
Consider using high brightness displays for better readability in bright ambient light conditions. Remember that sunlight comes in at different angles throughout the year. What might not be a problem in the summer could be an issue in winter.

Electromagnetic interference can cause problems with any electrical device. Be aware of devices that generate electrical fields, such as radio transmitters, mobile phones, pager transmitters, and security tag deactivators, and plan your installation accordingly.

## Designing Software Applications

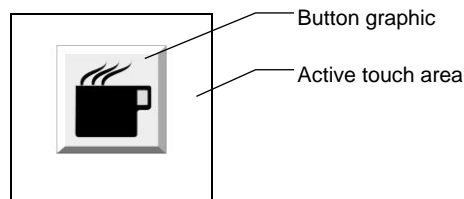
With any touch application, the design can be crucial to the usability of the final product. Clear icons, bright contrasting colors, large buttons, button placement, and simple layouts will contribute greatly to the success of your installation.

Parallax, the effect of a target object appearing in different positions when looked at from different angles, is a common problem in many computer applications. The combination of the sensor in front of the display and differing heights of users can cause parallax. When designing your touch system software application, use the following guidelines to help reduce the effects of parallax.



68-3113

- Design large buttons to facilitate touch. Remember that a fingertip is much larger than a cursor.



- Design larger active border areas for buttons. For example, if the button graphic is 1 inch x 1 inch, the active touch area behind it could be 2 inches x 2 inches.
- Keep buttons away from the edges and corners of the sensor. If this is impossible, make sure the active touch areas extend to the outer edges of the viewing area.
- Place buttons horizontally whenever possible. One size does not fit all! Consider the varying heights of users and thus viewing angles when designing the application.
- Turn off the cursor. Users may inadvertently try to drag the cursor to the correct location on the sensor, emulating moving a mouse, instead of touching the button directly.
- Design your applications to work with a single touch to activate rather than a double-touch.

## CHAPTER 3

# Installing an SCT Touch Sensor

This chapter describes how to install an SCT sensor in a display. You can install an SCT sensor on many different displays.

- The information in this chapter pertains to most displays.
- This chapter does not provide detailed instructions for any specific display.
- The procedures are only intended as guidelines and will vary depending on the display manufacturer.

---

**Note:** Given the variety of factors that can affect the use and performance of any product, some of which are uniquely within the user's knowledge and control, it is essential that the user evaluate the 3M product to determine whether it is suitable for a particular purpose and suitable for the user's intended application.

---

## Installation Considerations

Before beginning the installation, review Chapter 2. Planning ahead ensures a successful installation. To summarize:

- Perform a bench test of the hardware to ensure functionality before you start.
- Before installing the sensor, be sure to account for the space needed by the sensor and its flex tail.
- Ensure that the integration design does not subject the flex tail bond area to pinch points and/or mechanical stresses.
- When installing the sensor, be careful not to route the sensor flex tail and power wires near the backlight inverter or power supply of the display.
- Because the sensor edges are electrically active, they should not come in contact with any conductive materials. Avoid contact with metal brackets, conductive bezel paint, etc.
- The bezel may need to be modified to accommodate the sealing gasket and sensor. When trimming the bezel, make sure that the mechanical integrity of the display is not compromised.

- The sensor tail is designed to be flexible, and it may be creased *once in a single direction*, in multiple locations along the tail and then secured in position with a light adhesive tape.
- If it is necessary to remove the sensor from the display after it has been attached, do not pry it off. Carefully follow the instructions given.
- Be sure to follow solvent manufacturer's precautions and directions for use when using any solvents. Follow manufacturer's directions for suitable chemicals for your display. Refer to the section on *Touch Sensor Care and Cleaning* for further information.
- When reassembling the sensor and bezel, do not over-tighten any corner. Do not over compress the sealing gaskets – take out the air but not beyond. Follow gasket manufacturer's recommendations for allowable compression ranges (typically 30 to 50%). Pressure should be evenly distributed across the sensor.

## When Installing a Sensor with Privacy Film

When installing a system with privacy film, be sure to follow the previous instructions as well as these additional points.

- Be careful not to place too much pressure may dent the privacy film.
- To avoid scratching the privacy film, do not remove protective film until you are about to assemble the system.
- Remove protective liner by pulling gently.
- Be aware that handling any polymer film can generate electrostatic charges that can attract dust and debris.
- Remove any loose debris from the film by using compressed air.
- Handle the product with care. Avoid fingerprints or nail marks and debris by wearing clean latex gloves and holding the product at the edges.
- Do not slide the product across your work surface, as you may scratch the privacy film.
- Keep the area very clean to lessen the likelihood of debris contamination. Maintaining class 1000 clean room conditions is recommended.
- Using anti-static measures, such as ionized air blowers whenever possible, is recommended.
- As always, protect the film, especially the edges, from any undue shock or stress.

## Disassembling the Display

The process of disassembling the display is slightly different depending on the model of display; however, the components within the display housing are equivalent.

---

**Note:** This manual assumes that you have a display chassis attached to the front bezel, but since the internal components of most assemblies are basically the same, these same steps are applicable to all display installations.

---

## Disconnecting the Power and Removing the Pedestal

Most displays consist of a flat panel supported by a pedestal. The pedestal may house the wiring for the display. Before the display casing can be disassembled, the power must be disconnected and the pedestal removed.

1. Look at the front of the display. Some displays have a small door that hides the brightness and contrast controls. It is a good idea to tape this door closed to prevent damage when handling the bezel.
2. Gently place the display face down on a foam pad or other scratch resistant surface so that the rear of the display and pedestal are accessible.
3. Disconnect the power and video cables attached to the rear of the display housing. These cables may run through the pedestal where they connect to the base of the display.
4. Remove the screws securing the pedestal to the display. Be sure to label these for re-assembly.
5. Remove the pedestal and set aside.

## Removing the Display Housing

1. Place the display face down on a clean, anti-static pad. Remove the screws that secure the rear housing to the display, being sure to label them and set them aside.

---

**Note:** The way in which the rear housing is attached to the display varies from model to model. LCD display manufacturers may use screws, quick-release latches, clips, or release buttons.

---

2. Lift off the rear housing to expose the display chassis. Remove any screws holding optional accessories (such as speakers or control buttons).
3. Remove the screws that secure the chassis to the front bezel. Carefully lift the chassis off the front bezel and set the bezel aside.

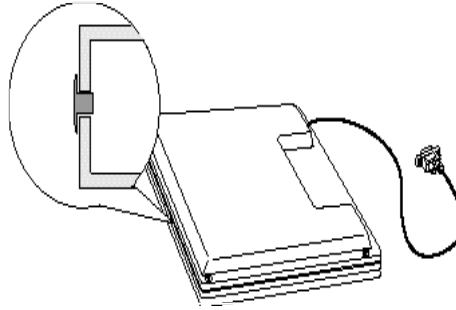
## Fitting the Sensor

The sealing gasket and mounting tape add approximately 1/16 to 1/8 inch (1.587 to 3.175 mm) and the sensor adds approximately 1/8 inch (3.175 mm) to the thickness of the display assembly. You will need to make sure there is enough space to reassemble the display once the gasket, tape, and sensor are fully integrated.

## Checking for Adequate Space

1. Inspect the inside of the rear display cover.
2. Note the clearance between the inside surface of the rear cover and the rear of the display or chassis. You may be able to look through the vents and openings in the cover to check the available space.
3. You must be able to move the display or chassis about 3/16 inches (4.7 mm) into the rear of the housing. If there is not enough space, you may not be able to reassemble the display once the sensor is installed. Here are a few solutions:
  - a. You can trim some plastic sections from inside the housing making sure you do not compromise the mechanical integrity of the display.

- b. You can reassemble with a gap between front and back housings. This gap is a result of the thickness added by the sensor. For aesthetic purposes, a plastic “belly band” can be inserted in the gap. This band is a T-shaped strip that fills in the gap and smoothes the edge.



### Modifying the Bezel

You now need to determine if the sealing gasket and sensor fit into the bezel. If necessary, you must trim the ribs and fins on the bezel that are in direct contact with the sensor or the sensor cable.

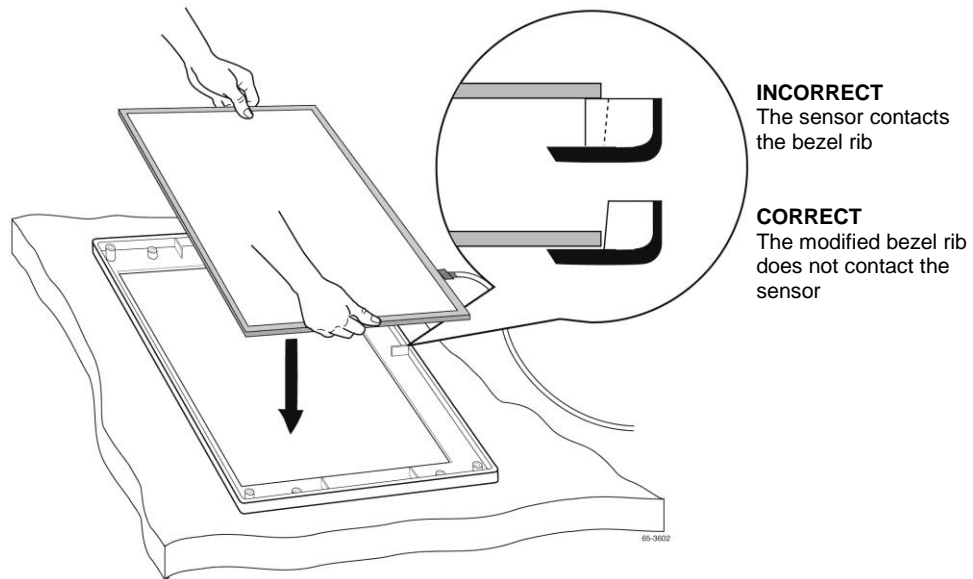
---

**Note:** When trimming the bezel, make sure you do not compromise the mechanical integrity of the display.

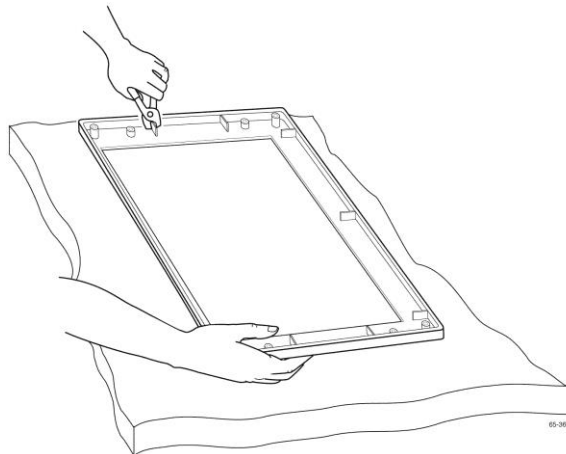
---

1. Place the bezel face down on an anti-static pad. Be sure to orient the top of the bezel closest to you.
2. Place the sensor face down against the inside of the bezel opening. Be sure to orient the sensor so the flex tail exits from the correct side of the bezel. Refer to the mechanical drawing of the sensor for details of your specific sensor.
3. Align and center the viewing area of the sensor. Make sure the limits of the viewing area do not extend into the bezel opening.
4. Note the ribs and fins of the bezel that are in direct contact with the sensor. Pay particular attention to the corners as well as the area where the flex tail exits from the sensor.





5. Carefully cut out a notch in each rib and cut back each fin that contacts the sensor.
  - Make sure you remove only enough material to facilitate the installation of the sealing gasket and sensor.
  - Make sure you clean any excess material or shavings from the cutout area.
  - Make sure you preserve the structural integrity in the rest of the rib area.



## Mounting the Sensor to the Display

Before you begin this process, please review the *Mechanical Considerations—Mounting Tape to the Display* section in Chapter 2 for additional important information on this subject.

---

**Note:** For ease of maintenance, you might want to put a border of polyimide tape (or a similar strength tape) around the perimeter of the display in order to provide a surface to adhere the 3M mounting tape that will be easy to remove if the need arises.

---

Strips of high-density foam mounting tape (3M Product Numbers 4956, 4956F, or 4979F) with adhesive on both sides should be used to attach the sensor to the LCD metal frame. These strips should not form a full seal – allow for ventilation (1-2 mm gaps) at the corners as shown above. Because new displays run significantly hotter than their predecessors, you should allow air to escape to avoid damaging the LCD with temperature and pressure equalization issues.



65-2813

**Caution:** The tape should have a minimum thickness of 1/16-inch (1.587 mm). Avoid using thinner tapes. If thicker tape is needed, it is okay to double the recommended VHB tape. Do NOT use highly compressible tapes.

Failure to mount the sensor in this fashion may result in reduced accuracy at extended temperature ranges.

**Caution:** To reduce the risk of damage to the LCD films, make sure the tape (either polyimide tape or VHB tape) does not touch the surface of the display. Ensure that the tape is aligned with the **frame** of the display (not in the viewing area).

The foam tape serves the following purposes:

- Holds the sensor in place on the display
- Maintains a constant distance between the sensor and the display
- Cushions the display and glass surfaces
- Prevents dust and other contaminants from getting in between the display and sensor surfaces

### Positioning the Sensor

The correct positioning of the sensor is extremely important. You should practice positioning the sensor on the display until you are comfortable with how the sensor should be aligned with the horizontal and vertical center of the display.

1. Place the display face-up on the foam pad, being careful of the components attached to the rear of the display.
2. Hold the sensor so the flex tail exits from the correct location. If you are unsure of the correct positioning, contact your customer service representative to request a detailed drawing.

---

**Note:** The sensor tail is designed to be flexible, and it may be creased *once in a single direction*, in multiple locations along the tail and then secured in position with a light adhesive tape. Tail bond should not be placed under mechanical stress. Refer to *Tail Routing* in Chapter 2.

---

3. Place the sensor onto the display and ensure that the sensor is straight and the viewing area centered on the display.

## Touch Sensor Care and Cleaning

The touch sensor requires very little maintenance. 3M Touch Systems recommends that you periodically clean the glass touch sensor surface. Be sure to turn off your display before cleaning.

Typically, an isopropyl alcohol and water solution ratio of 50:50 is the best cleaning agent for your touch sensor. You can also use straight isopropyl alcohol.

### CAUTION

**To avoid the potentially hazardous situations associated with the use of alcohol or other solvents which may result in minor or moderate injury or property damage:**

- Follow all instructions and recommendations in the manufacturer's Material Safety Data Sheet and product label.
  - Be sure to follow solvent manufacturer's precautions and directions for use when using any solvents
  - It is important to avoid using any caustic chemicals on the touch sensor. Do not use any vinegar-based solutions.
- Apply the cleaner with a soft, lint-free cloth. Avoid using gritty cloths.
  - Always dampen the cloth and then clean the sensor. Be sure to spray the cleaning liquid onto the cloth, not the sensor, so that drips do not seep inside the display or stain the bezel.

## Attaching the Touch Sensor to the Display

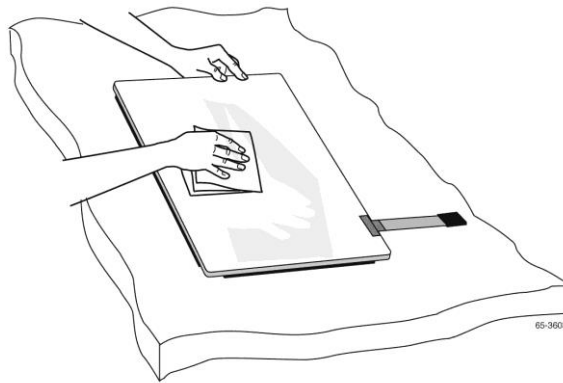
Once you feel comfortable with the alignment and positioning of the sensor, you are ready to permanently attach the sensor to the display.

---

**Note:** Refer to the section *When Installing a Sensor with Privacy Film* earlier in this chapter for specific directions to follow with the Privacy Film Option.

---

1. Use the recommended cleaner and a soft, lint-free cloth to clean the sensor. Make sure the glass is clean and dry before you attach the sensor.

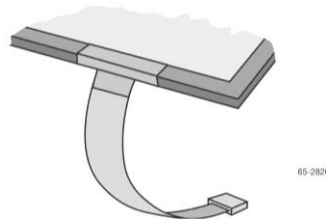


2. Apply strips of the double-sided acrylic foam tape (3M VHB 4956) around the perimeter of the display. Refer to the *Mechanical Considerations* section in Chapter 2 for additional details.

---

**Note:** To distinguish the front surface of the sensor, understand that the printed frit pattern and the sensor tail connection are on top. The tail is bent and exits from the back surface of the sensor.

---



3. Remove the paper backing from the double-sided tape on the display.
4. Hold the sensor so the flex tail exits from the correct location.
5. Attach the sensor to the viewable area of the display with one smooth motion.

## Inspect the Mounted Touch Sensor

After you mount the sensor to the display, inspect your results carefully and check that the sensor is installed properly.

1. Set the display in its standard upright position.
2. Look at the front of the display, and ensure the sensor flex tail exits from the correct location.
3. Check for proper alignment. Make sure the sensor is not off-center or crooked. If the sensor is not correctly aligned with the display, you must remove and remount the sensor before you can continue with the installation.
4. Look for dirt or lint trapped between the display and the sensor, as these particles will be visible later.

If any part of the inspection fails, you must remove and remount the sensor.

## Repair or Removing the Touch Sensor (if needed)

### CAUTION

**To avoid the risk of glass breakage which may result in minor or moderate injury:**

Do not try to pry the sensor off the display. You may break the glass and injure yourself or others.

If you need to remove the sensor, do not try to pry the sensor off the display. You may break the glass and injure yourself or others.

1. Use a razor knife or a single-edge razor blade to carefully cut through the mounting tape.
  - Start at the top of the screen and work down the sides.
  - Be careful not to scratch the display or the sensor.
  - Be sure to support the sensor as it comes away from the display.
2. Use isopropyl alcohol to remove the foam tape and adhesive residue from the back of the sensor. Be sure to follow solvent manufacturer's precautions and directions for use when using any solvents. Follow manufacturer's directions for suitable chemicals for your display.
3. Repeat the procedure for properly attaching the sensor to the display.

## Adding a Sealing Gasket to the Bezel

1. Place the bezel face down on an anti-static pad.
2. Use a die-cut gasket or cut strips of the closed cell, compressible foam sealing gasket tape to fit the inside edges of the bezel opening to form a **full perimeter** seal. To ensure tight fitting sealing joints, the gasket tape should be cut using a razor knife or single-edge razor blade.

It is essential that the surface be clean and dry and free of grease or oils.



3. Remove the paper backing from the tape. Adhere a strip of gasket tape to each inside edge of the bezel opening. Align one edge of the gasket to the edge of the bezel opening. If the gasket overlaps the bezel edge, it will be visible from the front of the display. If the gasket is spaced away from the bezel edge, you will create a gap that can collect dust, liquids, etc.
4. Pay close attention to the bottom edge joints. Butt the gasket tape edges to create a tight fitting joint.

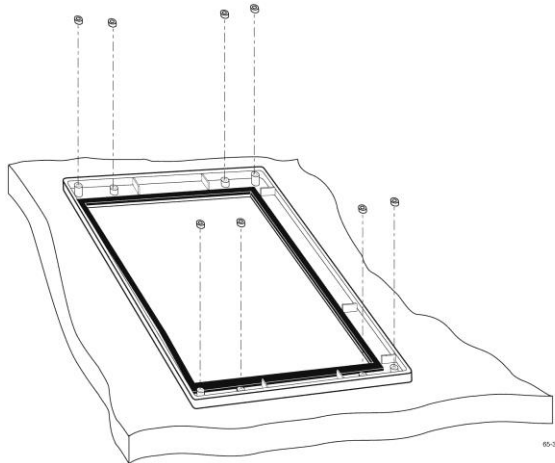
## Adding Spacers to the Bezel

You may need to insert nylon spacers and washers over each bezel post to accommodate the additional space of the sealing gasket and sensor. The spacers provide safety clearance for the sensor and prevent conductive materials on the bezel from contacting the sensor. **Do not omit these spacers and washers.**

You need to determine the correct amount of space to add to the bezel. At a minimum, you must add enough space to adjust for the thickness of the sensor, the mounting tape on the back of the sensor and the gasket seal.

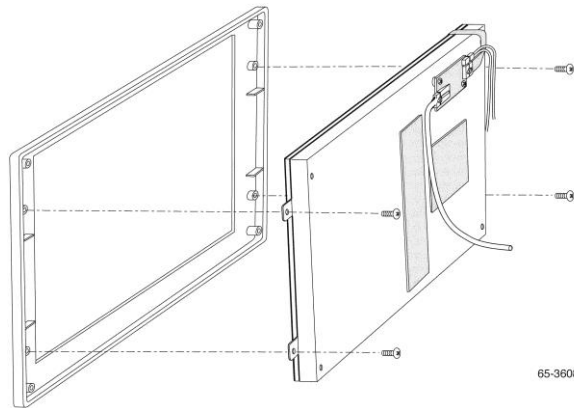
Following is an example of adding spacers to the bezel to accommodate the extra space created by the sensor. In this example, assume a sealing gasket, mounting tape, and a sensor.

1. Insert a temporary post, such as a cable tie-wrap or toothpick, in each bezel hole.
2. Place an insulating nylon spacer over each temporary post. The size of this spacer will compensate for the thickness added by the sealing gasket, mounting tape, and sensor. The size of your spacer may be different to provide additional spacing and support.



3. Align the screw holes (or tabs) over the temporary post. Each LCD hole/tab must rest on top of the spacer and washer above the bezel screw hole.
4. Adjust the display so that it is centered in the bezel and remove the temporary posts.
5. Select a replacement screw for the factory-installed bezel screws. 3M Touch Systems recommends that you replace the factory display screws with longer screws to accommodate the sealing gasket and sensor thickness and prevent the glass from breaking by forcing too short screws to work.

The replacement screws should be the same type and size as the factory screws, but 3/16-inch to 1/4-inch (4.76 to 6.35 mm) longer. The size depends on the amount of space you added between the bezel and display.



6. Install the replacement screws as follows:
  - a. Thread the screws into the holes that connect the display to the bezel.
  - b. Work diagonally from one corner to the opposite corner.
  - c. Do not over-tighten any one side or corner. Pressure should be evenly distributed across the sensor. Use caution as over tightening may dent the privacy film.
  - d. You must be able to complete at least three full turns of the screw into the original threads.
  - e. If you install the screws correctly, the screws should be seated properly and be a little tighter than finger tight. A close fit will prevent liquids and/or particles from damaging the internal electronics, however, the screws should not be so tight that they add stress to the display or the sensor. If the bezel starts to warp when you tighten the screws, stop and loosen the screws.

### Inspect the Attached Display and Bezel

Once you attach the display and the bezel, inspect your results as follows:

- Check the front of the assembly for proper alignment and adjust if necessary.
- Check that each bezel screw is seated properly and a little tighter than finger tight. The screws should not be so tight that they add stress to the display. If the bezel is warped, loosen the screws.

---

**Caution:** If the screws are too tight, you may damage the sensor, damage the privacy film, damage the display, or bore right through the bezel.

---

- Adjust the spacers or screws to get a secure attachment to the bezel without squeezing too tightly. Make sure the bezel ribs and fins do not contact the sensor at any point. If necessary, remove the bezel and trim the ribs and fins. For more information, refer to *Fitting the Touch Sensor* earlier in this chapter.

### Reconnecting the Bezel and Chassis

1. Reconnect all wires, cables, and switches.
2. Lay the sensor flex tail along the outside area of the chassis.
  - a. Avoid contact with internal electronics that can affect the sensor performance.

- b. Do not route the sensor flex tail near the backlight inverter or LED power supply of the display.



## CHAPTER 4

# Installing the 3M™ MicroTouch™ EX Series Controller

This chapter describes how to install the 3M™ MicroTouch™ EX series controller for your SCT sensor. You may be using one of several 3M™ MicroTouch™ controllers, refer to the appropriate *EX Controller Reference Guide* for additional information on your specific controller. You may obtain a copy of these guides from the <http://www.3m.com/touch/> website.

This chapter assumes you have already disassembled the display and mounted the sensor to the front of the display. For information on completing these procedures, refer to Chapters 2 & 3.

This chapter covers the following information:

- Mounting the controller
- Supplying power to the controller
- Connecting the controller to the computer

## Types of Controllers

There are different 3M™ MicroTouch™ controllers that can be used to operate your sensor. The most common are the EX122 and EX112 serial controllers and the EX121 and EX111 USB controllers. A short description of each of these is given below. Although the interface and form factor of each of these controllers is different, the functionality and installation procedure is the same.

|        | Large form factor             | Small form factor |
|--------|-------------------------------|-------------------|
| Serial | EX122 series<br>EX142 (cased) | EX112 series      |
| USB    | EX121 series<br>EX141 (cased) | EX111 series      |

**Table 1. SCT EX Compatible Controllers**

| <b>EX122 series</b>     |   |
|-------------------------|---|
| Communications protocol | Serial RS-232   |
| Documentation           | EX Serial Controller Reference Guide (29087)                |
| Form factor             | Cased: 3.75 in (95 mm) by 2.5 in (64 mm) by 0.84 in (21 mm) |
|                         | Uncased: 3.5 in (89 mm) by 2.25 in (57 mm) by 0.3 in (8 mm) |
| Sensors supported       | SCT sensors with NOVRAM cable adapters                      |
| Installation options    | Internal (uncased) or external (cased)                      |
| <b>EX121 series</b>     |   |
| Communications protocol | USB 1.1   |
| Documentation           | EX USB Controller Reference Guide (29489)                   |
| Form factor             | Cased: 3.75 in (95 mm) by 2.5 in (64 mm) by 0.84 in (21 mm) |
|                         | Uncased: 3.5 in (89 mm) by 2.25 in (57 mm) by 0.3 in (8 mm) |
| Sensors supported       | SCT sensors with NOVRAM cable adapters                      |
| Installation options    | Internal (uncased) or external (cased)                      |
| <b>EX112 series</b>     |   |
| Communications protocol | Serial RS232  |
| Documentation           | EX Serial Controller Reference Guide (29087)                |
| Form factor             | 1.3 in (33 mm) by 2.44 in (62 mm) by 0.32 in (8.1 mm)       |
| Sensors supported:      | Standard SCT sensors  |
| Installation options    | Internal only   |
| <b>EX111 series</b>     |   |
| Communications protocol | USB 1.1   |
| Documentation           | EX USB Controller Reference Guide (29489)                   |
| Form factor             | 1.3 in (33 mm) by 2.44 in (62 mm) by 0.32 in (8.1 mm)       |
| Sensors supported       | Standard SCT EX sensors                                     |
| Installation options    | Internal only   |

## Disassembling the Chassis

1. Remove the screws securing the display control panel cover to the chassis. Be sure to save and label these screws for reassembly.
2. Take a moment to inspect the display's internal hardware before you disconnect any wires.
  - a. Take a digital photo or note where each wire is attached and how each wire is routed.
  - b. Label each wire. Labeling the wires makes reassembling easier.

- c. Most display manufacturers connect the major components with detachable cables that have keyed connectors and labels. In addition, cables are of such lengths that they usually connect to only one place. However, not all displays have easy and intuitive cable connections. When in doubt, make notes of all connection points.

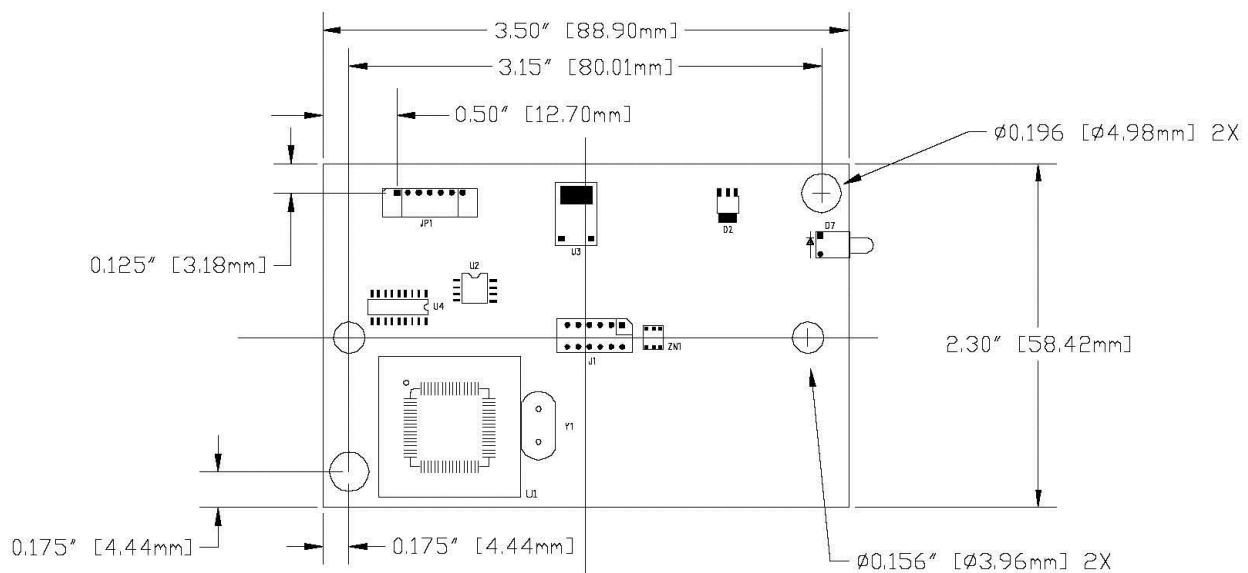
Once the chassis has been disassembled, you can mount the controller and connect it to a sufficient power source following the instructions below for powering the controller either internally or externally.

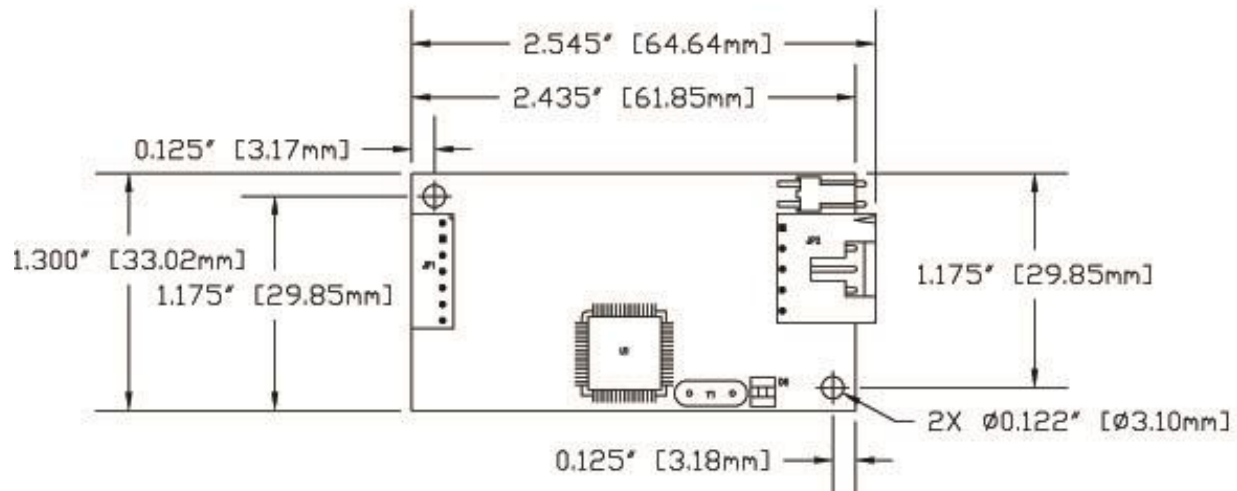
## Mounting the Controller Internally

Mounting the controller inside the display housing results in a neater, cleaner finish but requires internal space. Before you begin, make sure that there is sufficient room for the controller board inside the chassis.

Care must also be taken when attaching the controller board internally, as the boards can short out if they are not attached properly. Additional space will also be needed between the controller board and the metal shield to prevent shorting of the board.

**Figure 1. EX12n Series Controller Dimensions**



**Figure 2. EX11n Series Controller Dimensions**

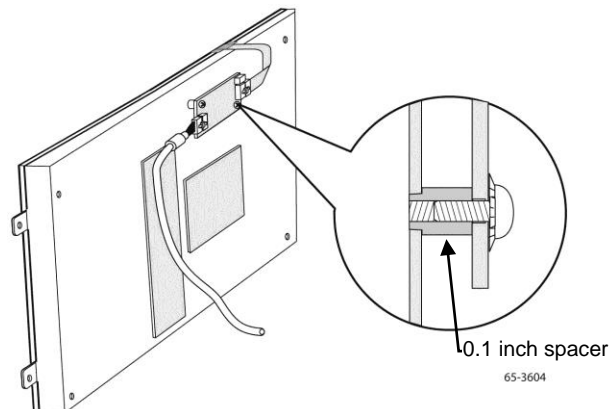
## Completing Controller Mounting

**Note:** The method and location selected in mounting a controller is dependent on the mechanical design and assembly of the display being integrated. There may be several alternatives to integrating the controller. The following illustrates one mounting method that may work for some display products.

In order to mount the controller board to the housing, two holes must be drilled.

1. Mount the uncased controller board to the housing using two metal screws.
2. Insert a 0.1 inch spacer between the controller board and the metal shield as shown in the following diagram. These spacers will prevent the board from shorting out.

**Note:** Ensure that the two controller mounting holes are connected to the chassis ground of the display.



3. Plug the sensor cable into the controller board, making sure that the pins are oriented in the correct direction. You may replace the standard cable with a short extension that would mate to a bulkhead connector.

With the controller board properly mounted, all cables connected, and excess wiring cable-tied, the metal shield can be attached.

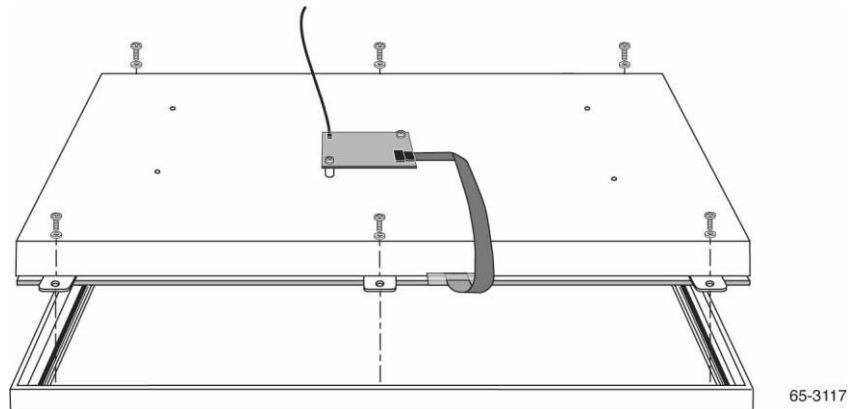
As mentioned earlier, it may be necessary to make changes to the metal shield and the rear display housing to accommodate the sensor cable. Usually it is necessary to make a hole in the shield and the housing so that the sensor cable can be routed through, however some models may have an existing opening that can be used.

With a sufficient opening, the sensor cable can be fed through and the metal shield reattached.

---

**Note:** If a hole is drilled in the metal shield to accommodate the sensor cable, be sure to fold back the edges or install a grommet so that the cable does not fray on the sharp edges.

---



---

**Note:** When routing the sensor cable through the metal shield and rear display cover, be careful to avoid the inverter and other high noise sources.

---

## Powering the Controller

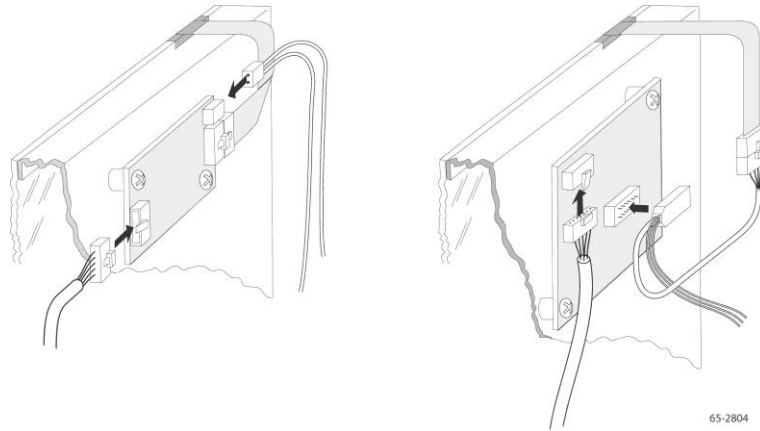
After deciding where to mount the controller, it is necessary to determine how the controller will be powered. As mentioned in the previous section, each type of controller requires a different power source. Note that the controller must be properly grounded through the mounting holes

**Table 2. Serial Controllers**

| <b>EX122 or EX142 series</b>              |   |
|---|---|
| Internal power option                     | Power input contacts: Orange, green and gray wires attached to the sensor cable connector.  |
| Connections (NOVRAM):                     | Green: Chassis ground<br>Grey: GND RTN<br>Orange: 12VDC   |
| External power option (RS-232 Power Plug) | Power input contacts: Auxiliary plug on the RS-232 connector of controller cable.   |
| Connections:                              | Green: Chassis ground<br>Grey: cut and insulate, do not use in conjunction with RS-232 Power Plug<br>Orange: cut and insulate, do not use in conjunction with RS-232 Power Plug |
| <b>EX112 series</b>                       |   |
| Internal power option                     | Power input location: Two pin connector on controller board adjacent to sensor connector  |
| Connections (2-pin power):                | Pin 1: GND RTN<br>Pin 2: 5VDC to 12VDC  |
| External power option                     | Power input locations: Auxiliary plug on the RS-232 connector of controller cable.  |
| Connections:                              | None required<br>Controller must be properly grounded through the mounting holes.   |

**Table 3. USB Controllers**

| <b>EX121 or EX141 series</b> |   |
|------------------------------|---|
| USB Bus Power option         | Power input from USB connection to PC   |
| Connections (NOVRAM):        | Green: Chassis ground<br>Grey and Orange: Insulated with no electrical connection |
| <b>EX111 series</b>          |   |
| Bus Power option             | Power input contacts: Use connection to PC  |
| Connections:                 | None required<br>Controller must be properly grounded through the mounting holes. |



## Locating Power for the Controller

If you have chosen to power your controller internally, you need to tap a power source within the display. It is helpful to locate this power source before beginning the controller installation. A multi-meter or the display schematic can be used to locate an appropriate power source on the display's main board.

The power source must meet the following requirements:

- Minimum current supplied: 100mA
- Maximum voltage drop allowed: 100 mV

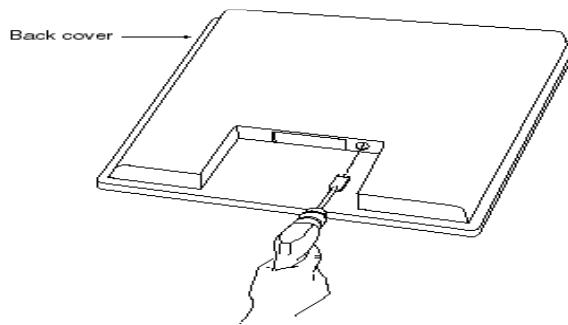
To determine the display's voltage drop at the power source conduct the following test:

1. Measure voltage across the power source contacts
2. Connect sensor to controller, and controller to power source.
3. Power up the display and allow it to warm up for at least 10 minutes
4. Measure voltage across the power source again

The difference in voltages before and after the wires were connected cannot exceed 100 mV. If this voltage drop is exceeded, you must find a different tap point location.

## Modifying the Display for the Controller Cable

1. Select a location on the rear of the display's cover for the controller cable. You need to be able to thread the cable from outside the display in through the opening.
2. Use a center punch to place a dimple at the selected location.
3. Drill a hole using a 3/4-inch spade bit as shown below.



### Installing the Controller Cable Grommet

You will also need a grommet to place around the controller cable. The grommet seals the opening between the cable and the display cover.

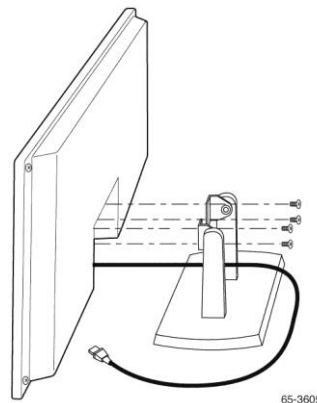
Attach the grommet around the controller cable. Carefully insert the grommet into the mounting hole using a blunt tool.

### Reassembling the Display Cover

Once you drill the holes in the display cover for the controller cable, you are ready to reassemble the display.

1. Check the display mounting for proper adjustment. Make sure all wires are properly attached, including the sensor's green wire to the chassis ground.

Check for video and power cables that originate inside the display. If these cables exist, be sure to thread them through the appropriate opening in the display cover. These will be reconnected through the pedestal.



**Note:** When routing the sensor flex tail through the metal shield and rear display cover, be careful to avoid the inverter and other high noise sources.

2. Align the display cover for reattachment to the chassis and thread the controller cable through the hole.
3. Remount the cover to the chassis assembly and attach the housing screws you removed when you disassembled the display or use new longer screws as required.



---

**Note:** Do not tighten the screws beyond the “just tight” position. Nylon threads strip easily.

---

## Installing Software

3M™ MicroTouch™ Software includes the touch driver and control panel that enables your sensor to work with your computer. When you install this software, the correct driver for your system will automatically load. 3M Touch Systems currently supports touch drivers for most Microsoft® Windows® and Linux® operating systems

These drivers, as well as relevant technical documentation and legacy drivers, can be found on the corporate website at <http://www.3m.com/touch/>. After the software is installed, restart your computer to load and activate the touch driver.

---

**Note:** After you connect your touch display and install software, you must calibrate the sensor.

---